

PRODUCT SPECIFICATION

Receiving Card
HD-R708

1. Overview

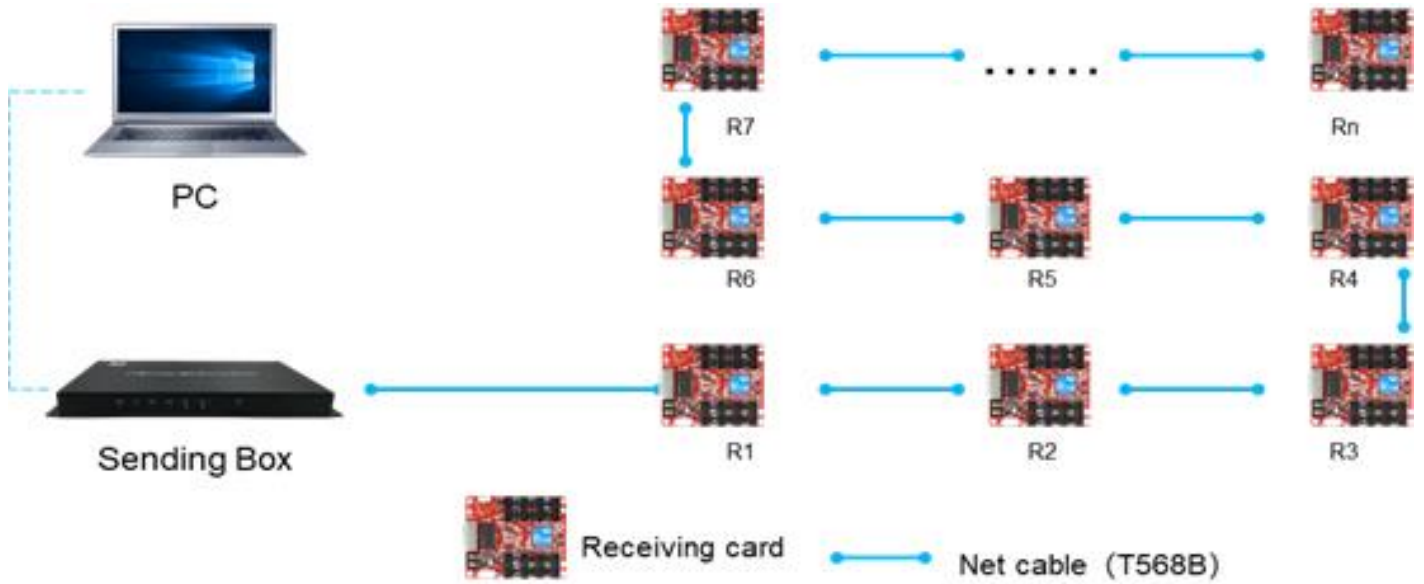
R708 Ton-board 8*HUB75E ports, compatible with R series receiving card, it work with asynchronous sending card, synchronous sending card and all-in-one LED controller.

2. Parameters

Features	Parameters
With sending card	Dual-mode sending box, Asynchronous sending card, Synchronous sending card, Video processor of VP series.
Module type	Compatible with all common IC module, supported most PWM IC module.
Scan mode	Supports any scanning method from static to 1/128 scan
Communication method	Gigabit Ethernet
Control range	Conventional chip: 128*512 pixels, PWM chip: 256*512 pixels, Large range: P1.667, P1.538, P1.25 can all be fully loaded with 8 ports
Multi-card connection	Receiving card can be put in any sequence
Gray scale	256~65536
Smart setting	A few simple steps to complete the smart settings, through the screen layout can be set to go with any alignment of the screen unit board.
Test functions	Receiving card integrated screen test function, Test display brightness uniformity and display module flatness.
Communication distance	Super Cat5,Cat6 network cable within 80 meters
Port	5V DC Power*2,1Gbps Ethernet port*2, HUB75E*8
Input voltage	4.0V-5.5V
With sending card	Dual-mode sending box, Asynchronous sending card, Synchronous sending card, Video processor of VP series.
Power	5W

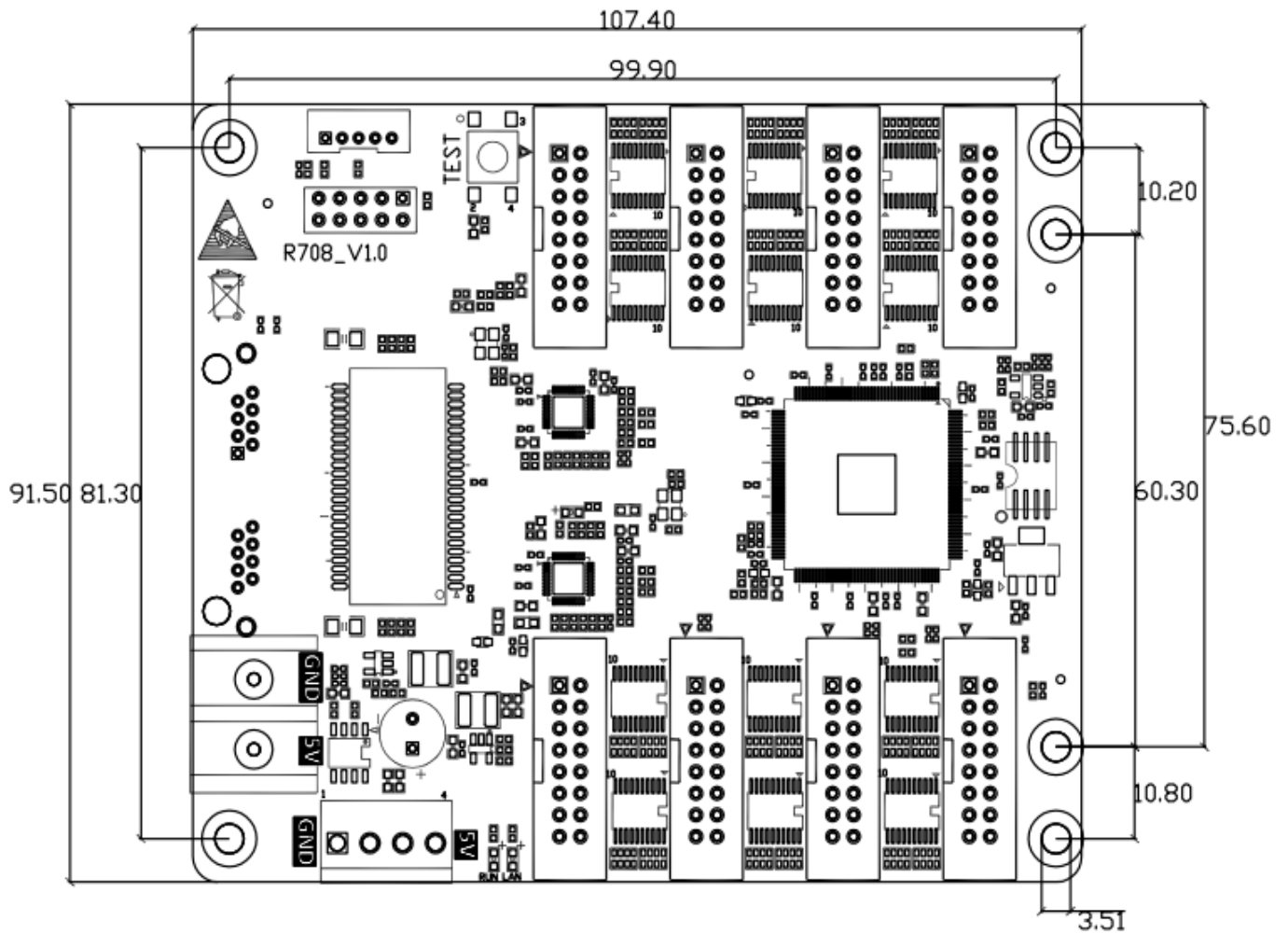
3. Connection Method

Connection diagram of connecting R708 with player A6:

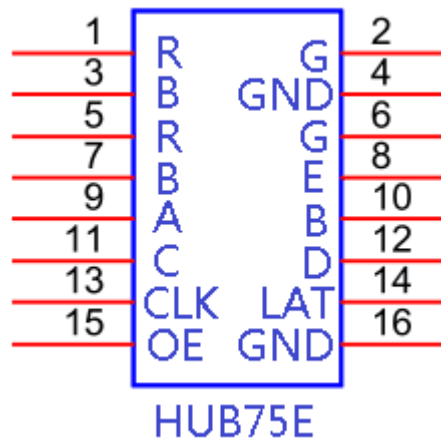


Shenzhen Huidu Techn

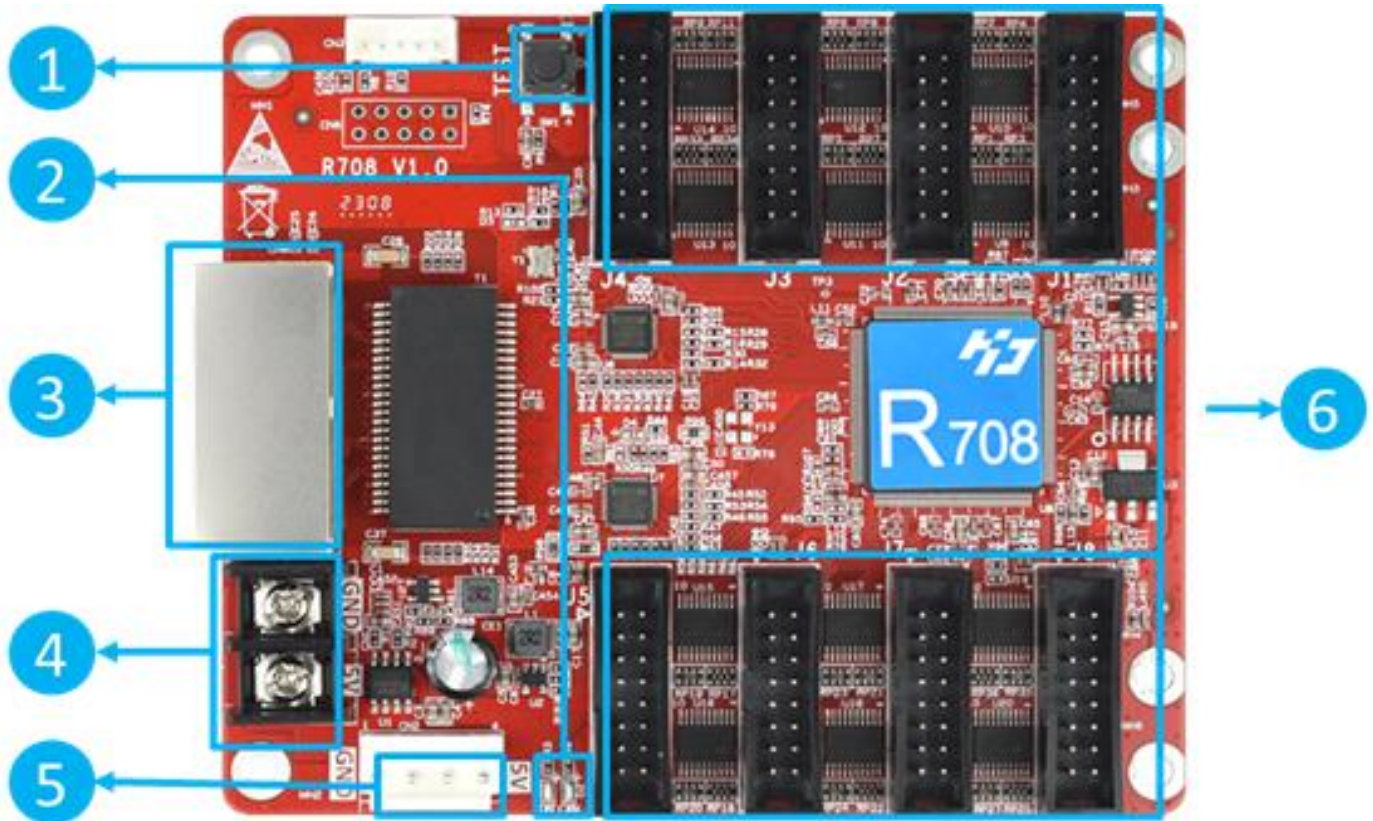
4. Dimensions



5. Interface Definition



6. Interface Description



No.	Interface	Description
1	Test button	Used to test display brightness uniformity and display module flatness.
2	Work indicator	D1 (RUN) flashes to indicate that the control card is running normally. D2 (LAN) flashes quickly to indicate that Gigabit has been recognized and data is being received.
3	Gigabit Ethernet port	Used to connect the sending card or receiving card, the same two network ports are interchangeable.
4	Power interface	Can be accessed with 4.0V ~ 5.5V DC voltage.
5	Power interface	Can be accessed with 4.0V ~ 5.5V DC voltage.
6	Flat cable interface	8 HUB75E interface, connect to the LED modules by flat cable.

7. Technical Parameters

Item	Parameter value
Rated Voltage (V)	DC 4.2V-5.5V
Working Temperature (°C)	-40°C~80°C
Working Environment Humidity (%RH)	0~90%RH
Storage Environment Humidity (%RH)	-40~90°C
Net weight (kg)	0.077

Precautions:

- 1) Ensure the system long-term stable running, please use the standard power supply.
- 2) Please do not operate with electricity
- 3) Due to the production batch and other reasons, there may be a slight error between the photo and the real thing. If in doubt, please confirm with us.