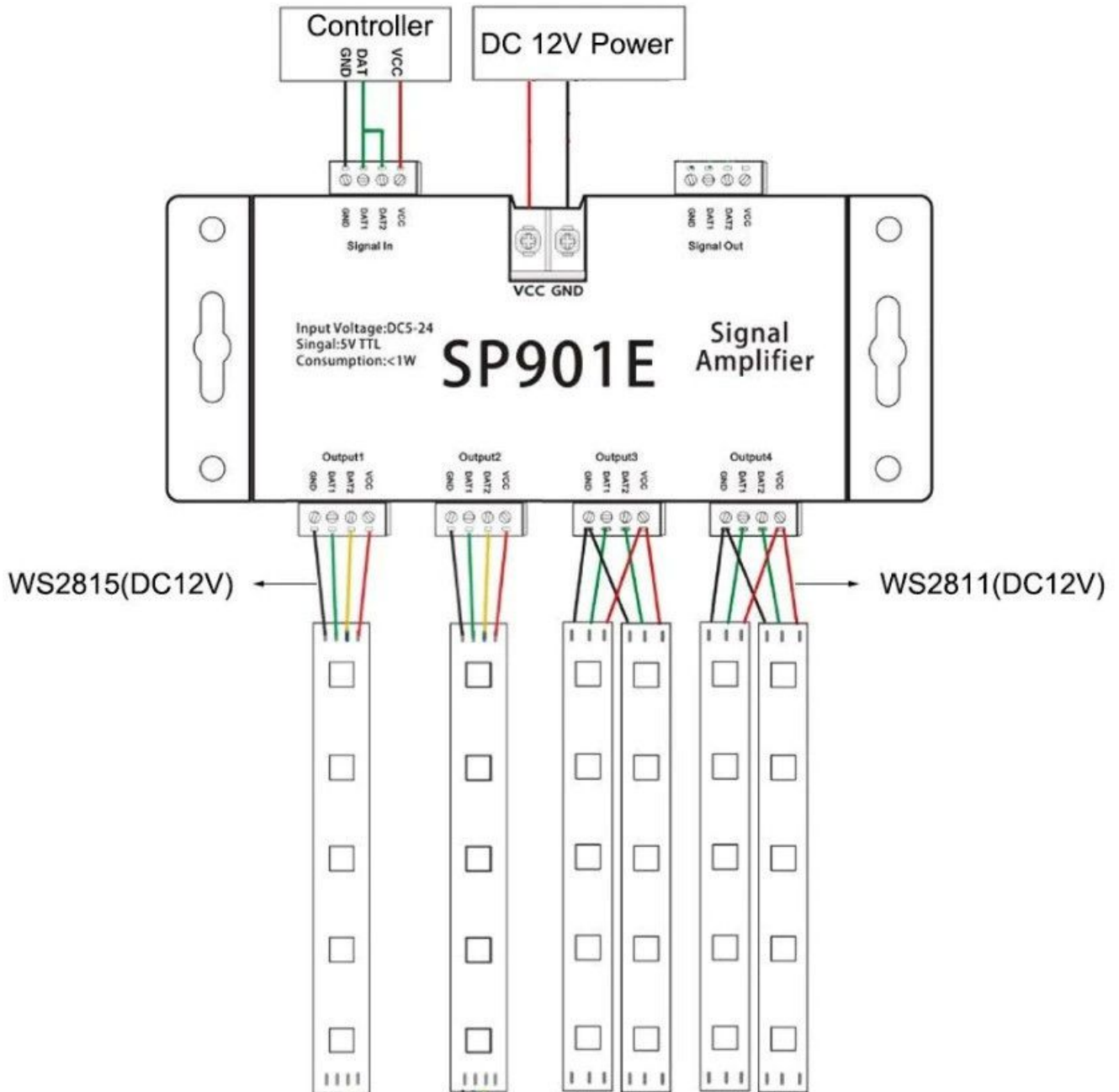


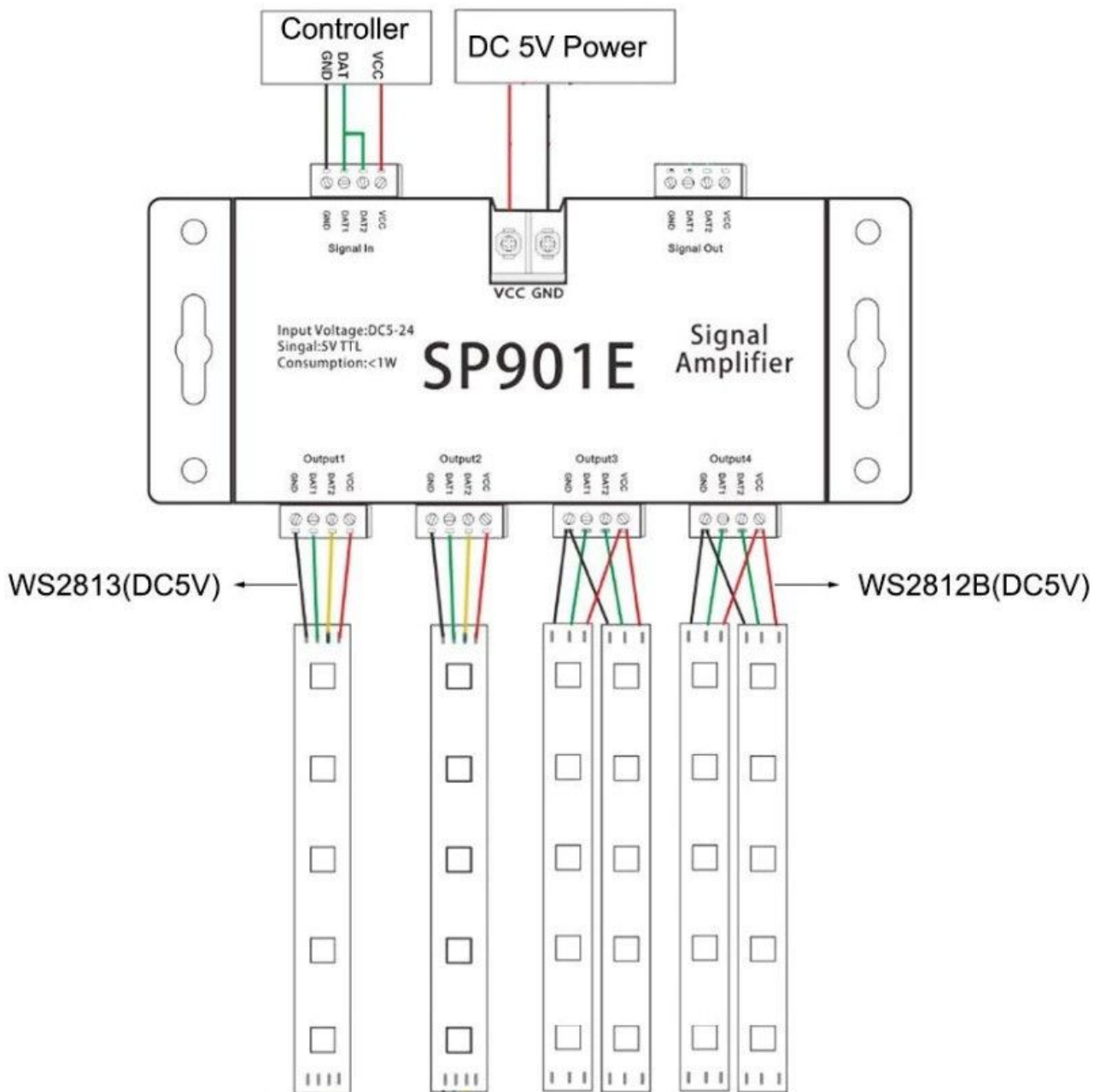
Wiring Diagram For Addressable LED Strip

Connect WS2815 And WS2811 LED Strip At The Same Time



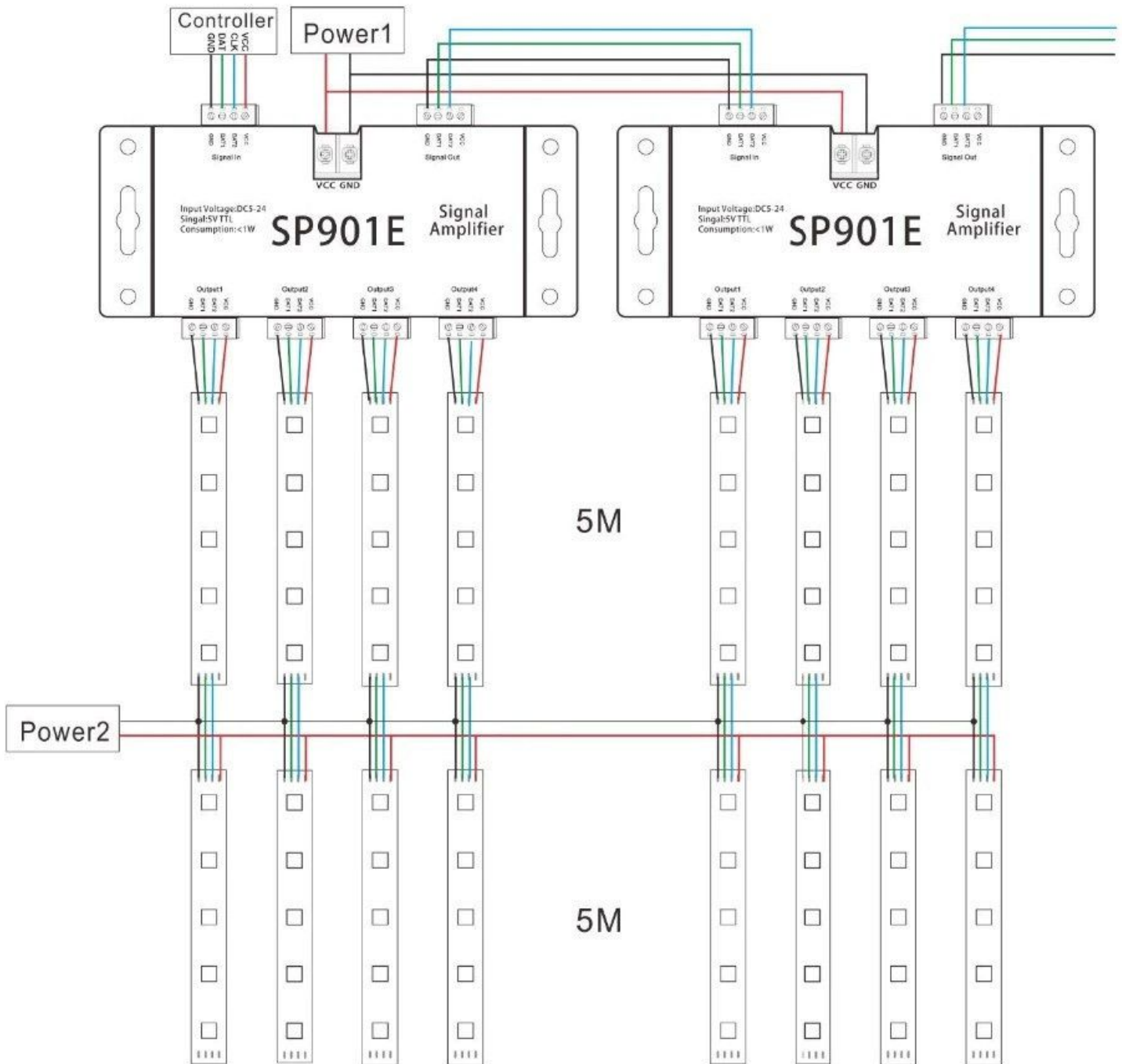
Wiring Diagram For Individually Addressable LED Strip

Connect WS2812B And WS2813 LED Strip At The Same Time



Wiring Diagram for Addressable LED Strip

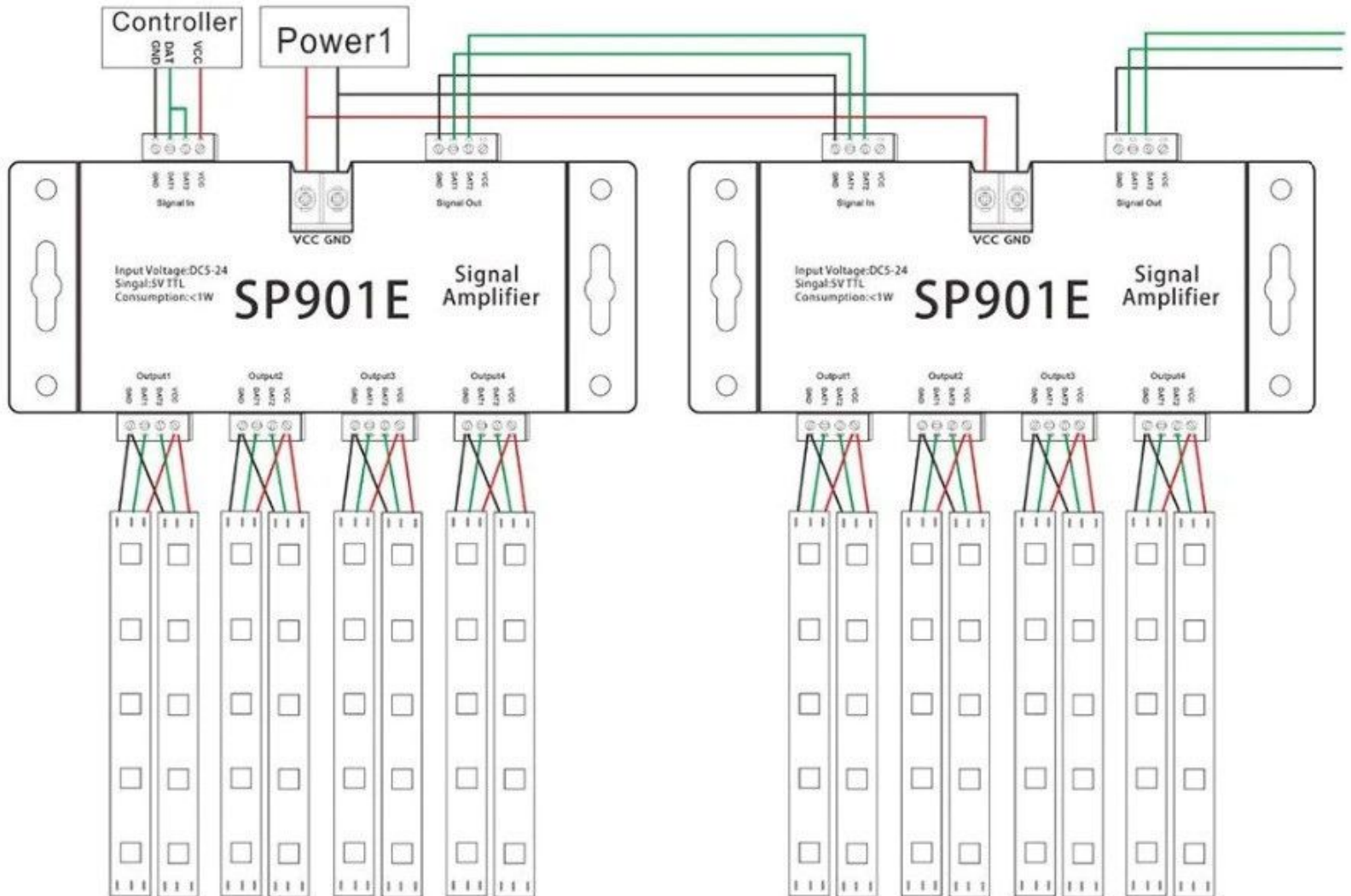
with Data and Clock Wires such as WS2801 APA102 SK9822



Wiring Diagram For Addressable LED Strip

With Single Data Wires Such As WS2812B WS2811

SK6812 SK6812-RGBW,etc



Wiring Diagram For Addressable LED Strip

With Dual Wires Such As WS2813 /WS2815 /GS8208, etc

