



## Product Specifications

Receiving card HD-R320

V1.0 20191119

## Overview

---

R320 is a receiving card used for fine pixel pitch LED screen, it control range is 256\*512 pixels.

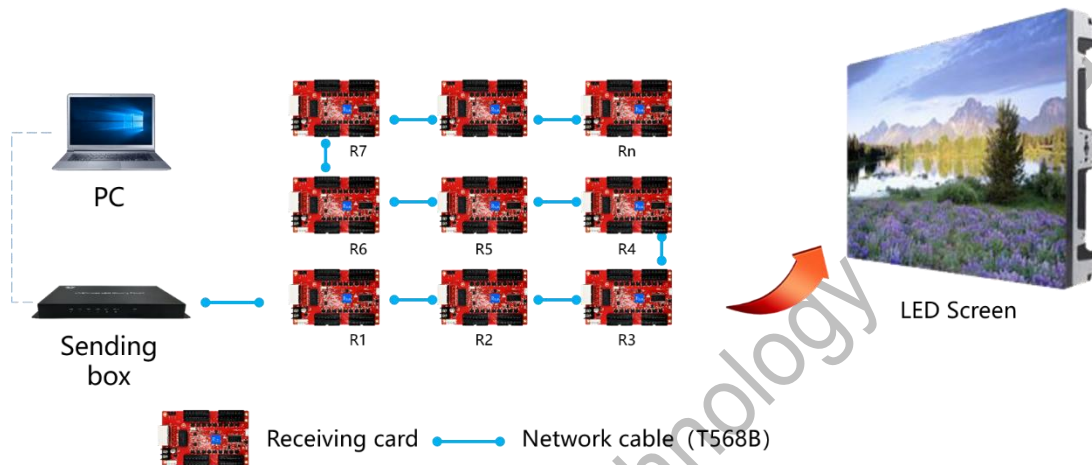
## Parameters

---

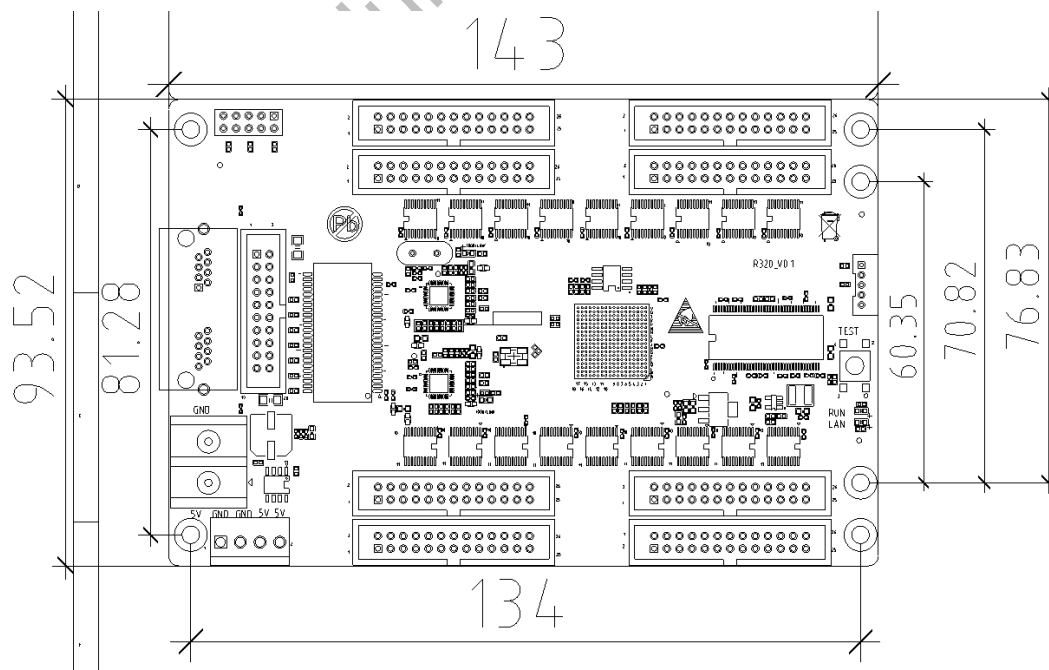
<b>Fit for sender</b>	A4、A5、A6、A601、A602、A603 dual mode player; A3、A30、A30+、C10、C10C、C30、C15、C15C、C35、C35C Asynchronous controller; T901、T901B、T901S synchronous controller; VP210、VP410 video processor
<b>Module type</b>	Compatible with all common IC module, supported most PWM IC module.
<b>Scan mode</b>	Supports any scanning method from static to 1/64 scan
<b>Communication method</b>	Gigabit Ethernet
<b>Control range</b>	Recommend: 128*768 pixels Recommend width pixel $\leq 128$
<b>Multi-card connection</b>	Receiving card can be put in any sequence
<b>Gray scale</b>	256~65536
<b>Smart setting</b>	A few simple steps to complete the smart settings, through the screen layout can be set to go with any alignment of the screen unit board
<b>Test functions</b>	Receiving card integrated screen test function, Test display brightness uniformity and display module flatness.
<b>Communication distance</b>	Super Cat5,Cat6 network cable within 146 meters
<b>Port</b>	5V DC Power*2,1Gbps Ethernet port*2, HUB320*8
<b>Input voltage</b>	4V-6V
<b>Working temperature</b>	-40°C~85°C

## Connection method

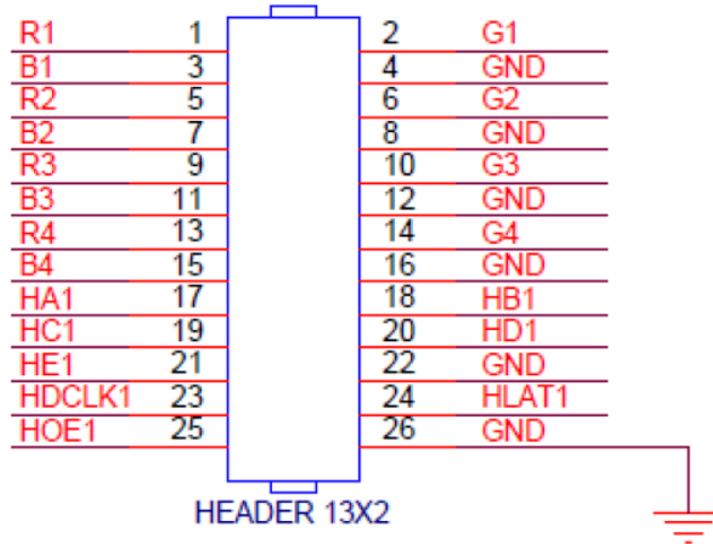
Connection diagram of connecting R320 with sending box.



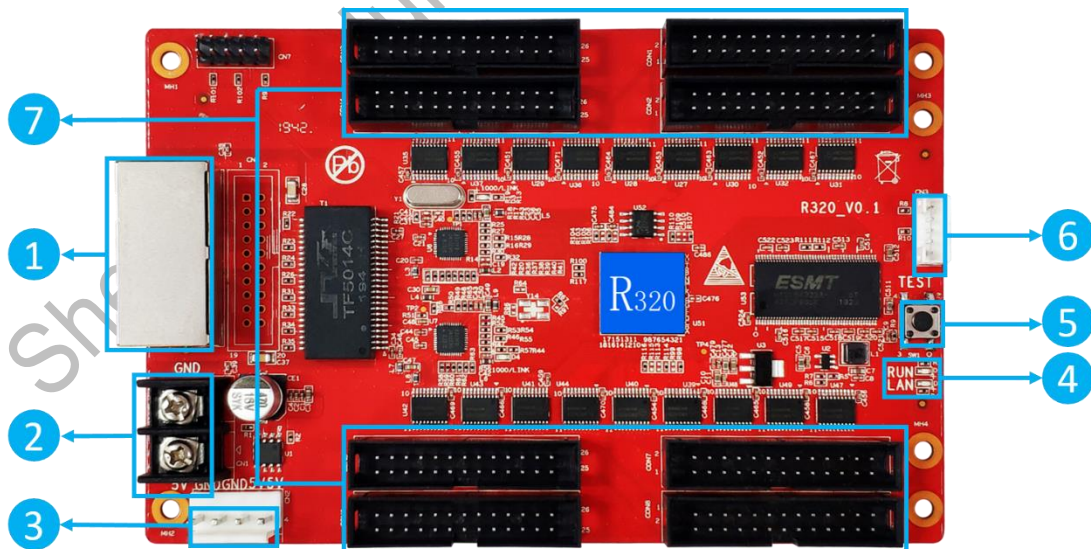
## Dimensions



## Interface definition



## Appearance Description



①: Gigabit Ethernet port, used to connect the sending card or receiving card, the same two network ports are interchangeable,

- ②: Power interface, can be accessed with 4.5V ~ 5.5V DC voltage;
- ③: Power interface, can be accessed with 4.5V ~ 5.5V DC voltage; (②, ③ connect one of them is ok.)
- ④: Work indicator, D1 flashes to indicate that the control card is running normally; D2 flashes quickly to indicate that Gigabit has been recognized and data is being received.
- ⑤: Test button, used to test display brightness uniformity and display module flatness.
- ⑥: External indicator light, run light and data light,
- ⑦: HUB320 port, connect to the modules.

## Technical Parameters

	Minimum	Typical value	Maximum
Rated voltage(V)	4.2	5.0	5.5
Storage temperature(°C)	-40	25	105
Work environment humidity (°C)	-40	25	80
Work environment humidity (%)	0.0	30	95

## Precautions

- 1) ensure the system long-term stable running, please keep to use the standard 5V power supply voltage.