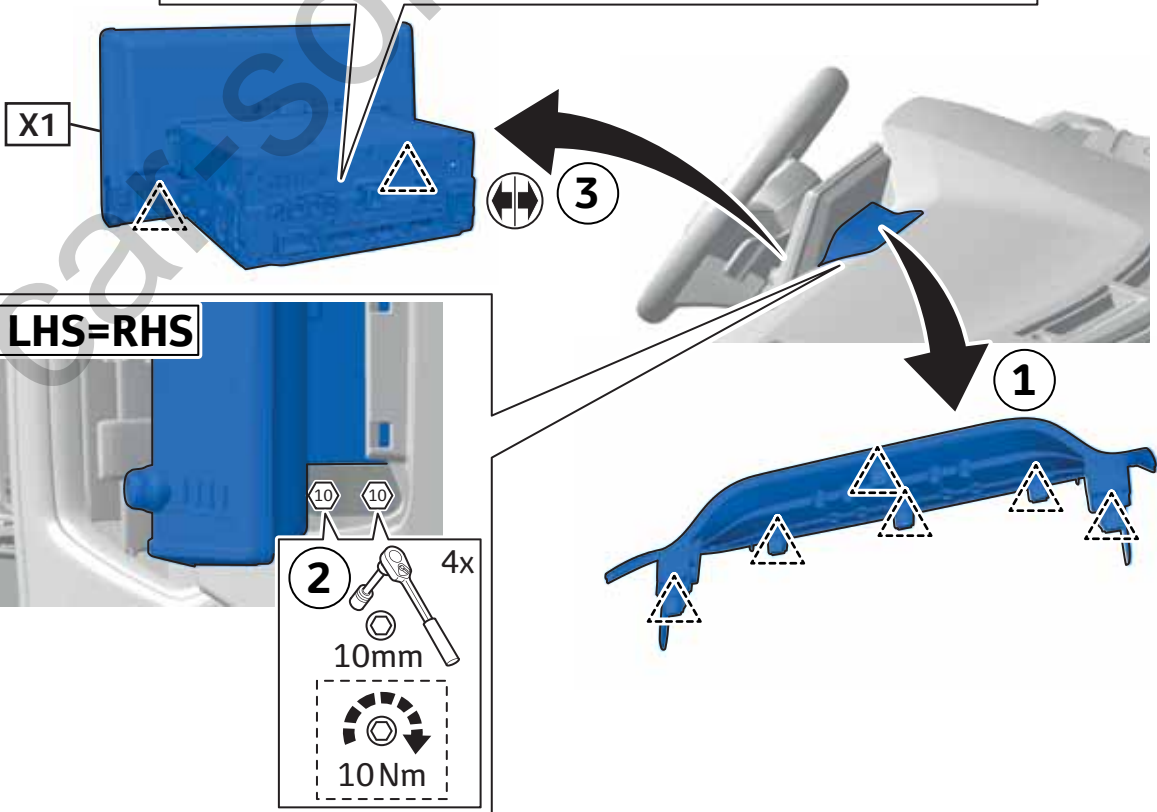
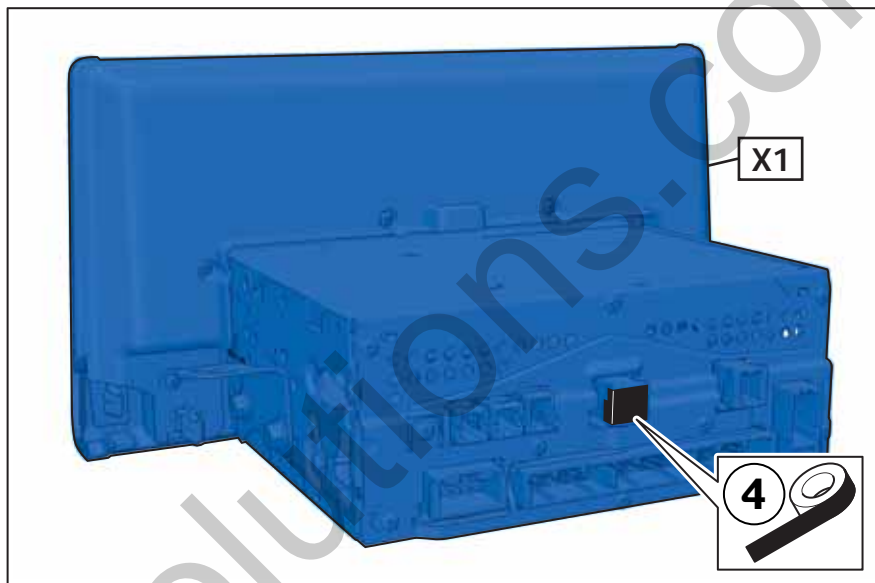
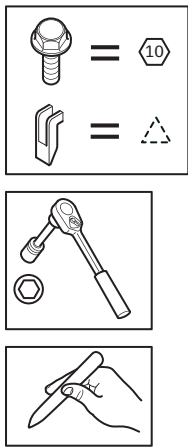
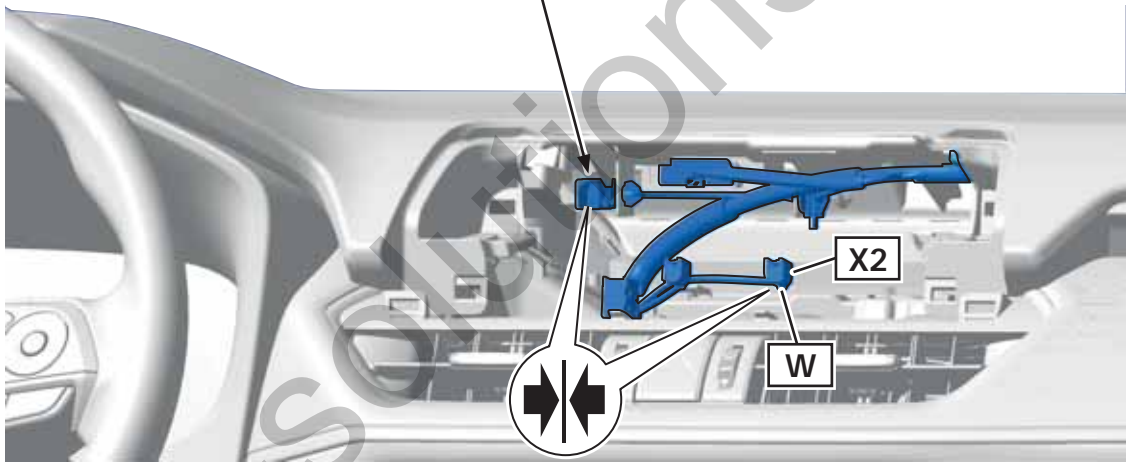
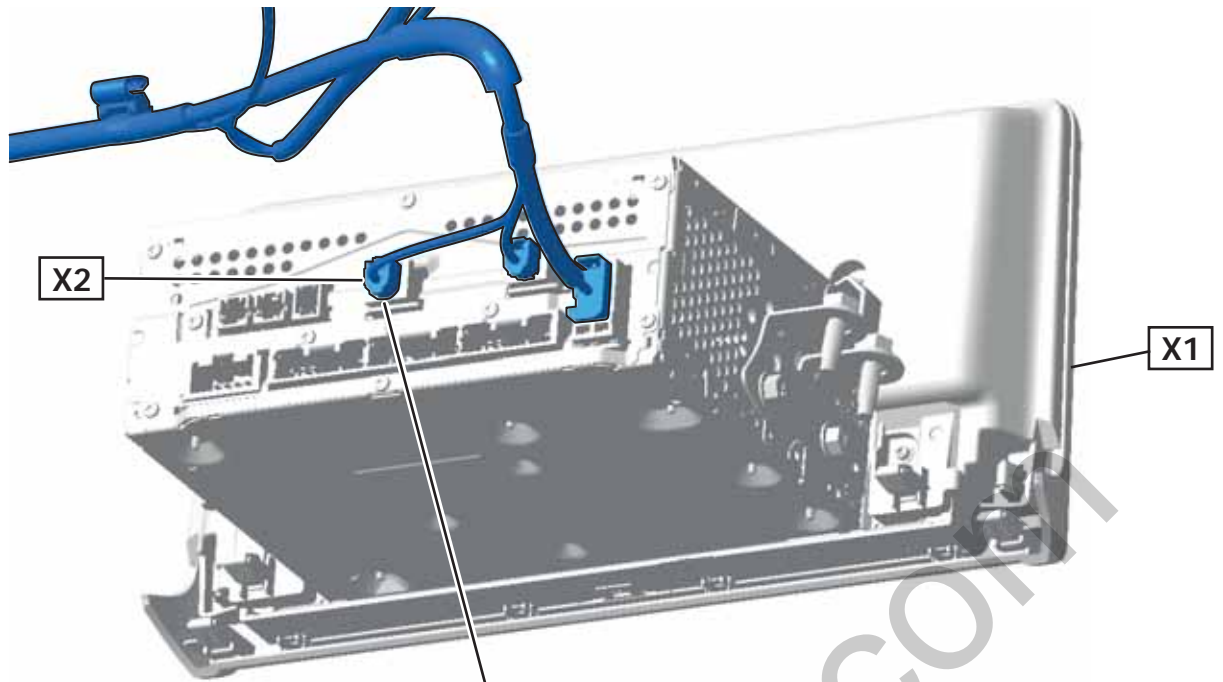


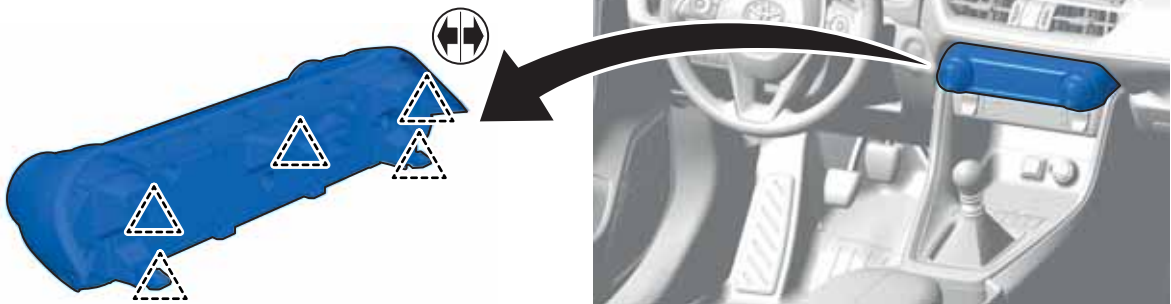
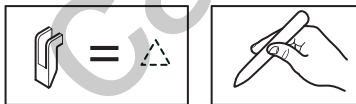
1



2




3




4


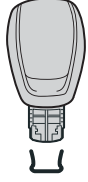
5


Manual





Automatic







6


 = 

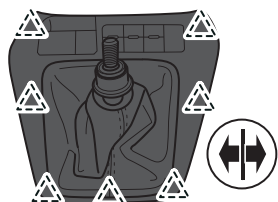




Manual





Automatic











7


 = 









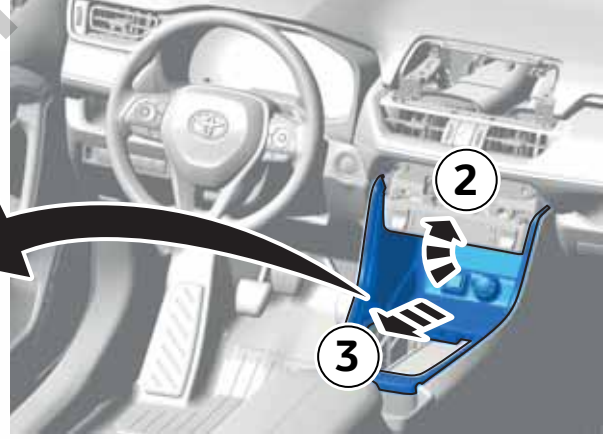
1





10mm




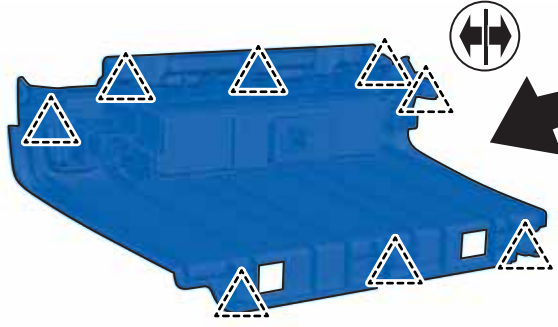

6Nm

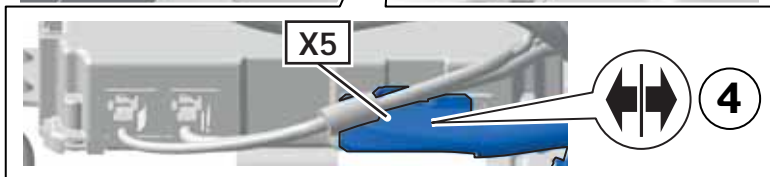
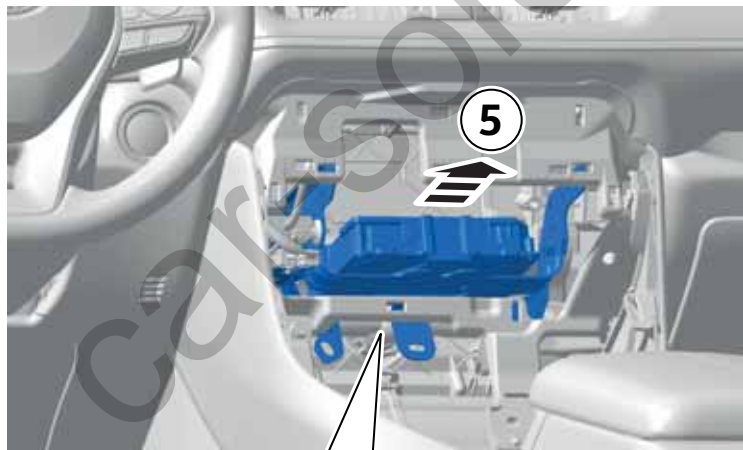
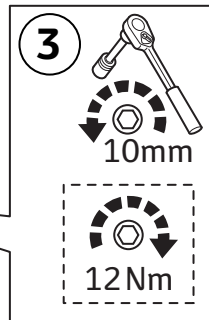
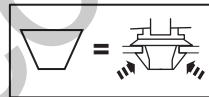
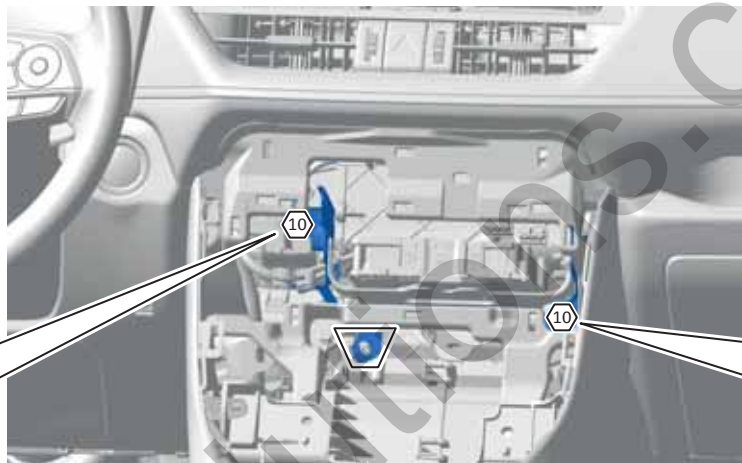
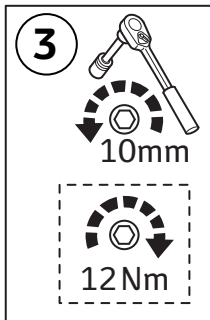
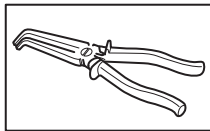



8

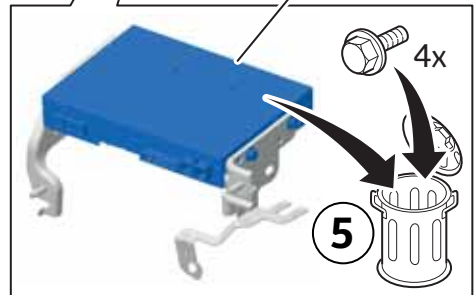
 = 

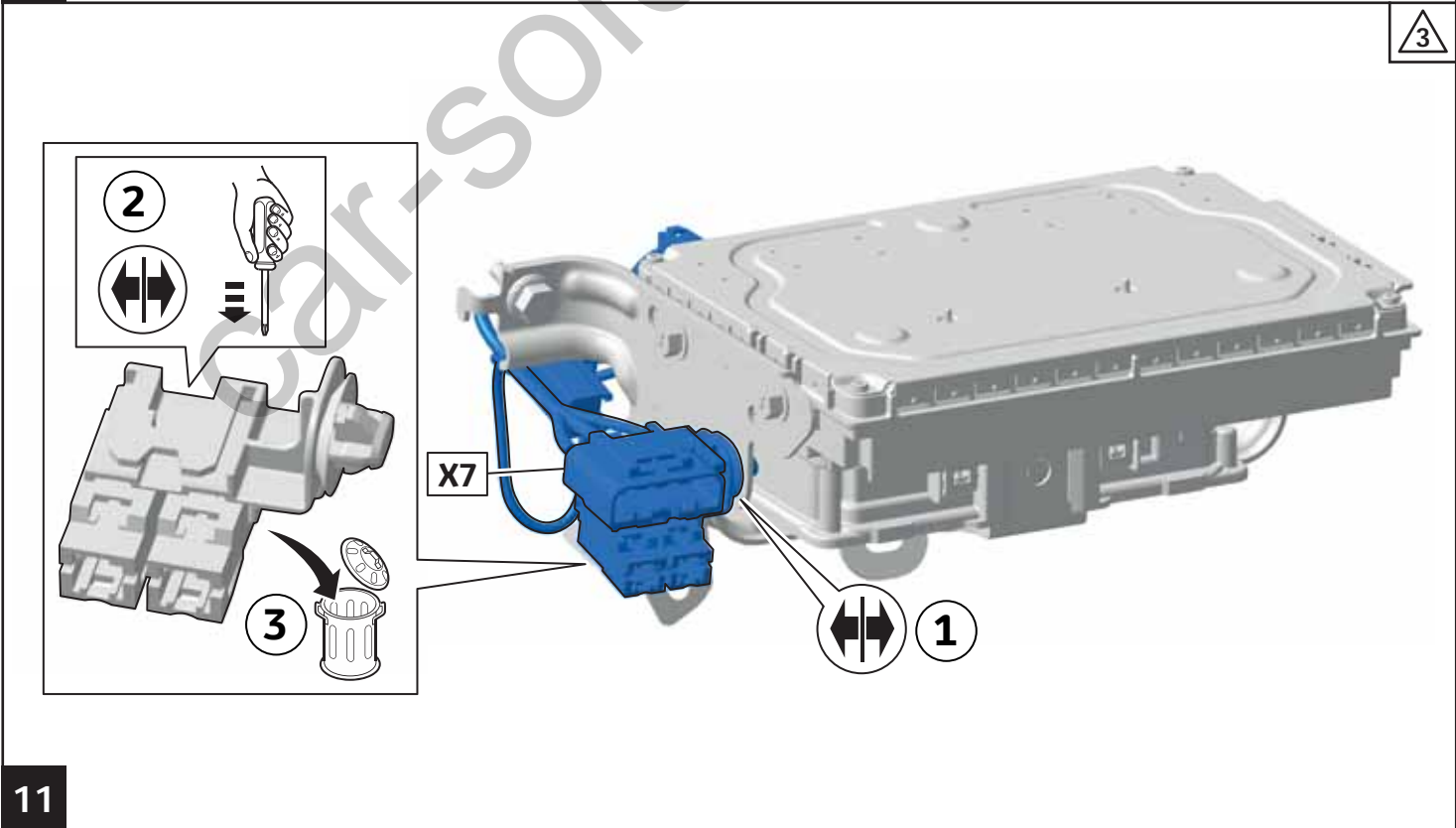
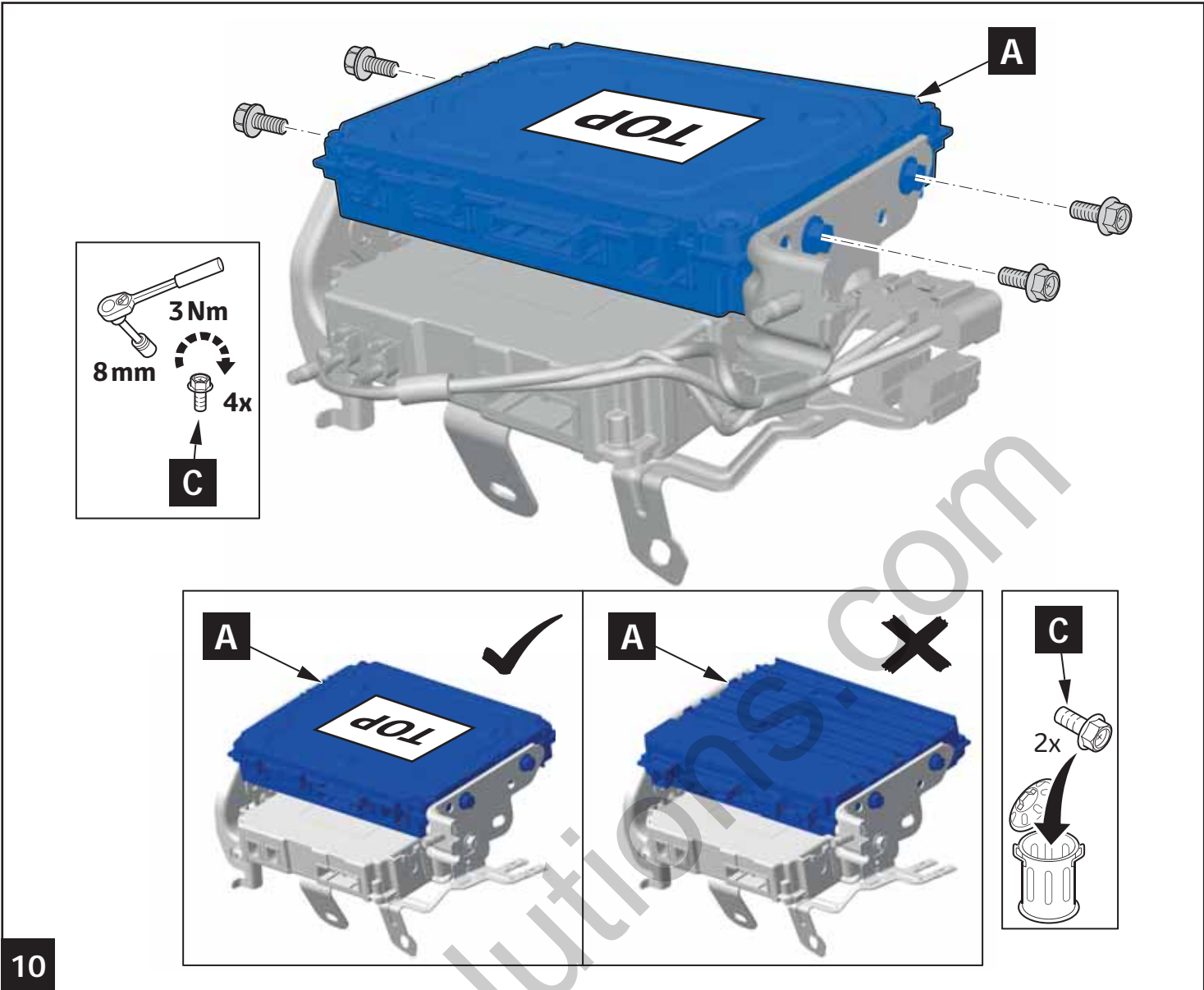


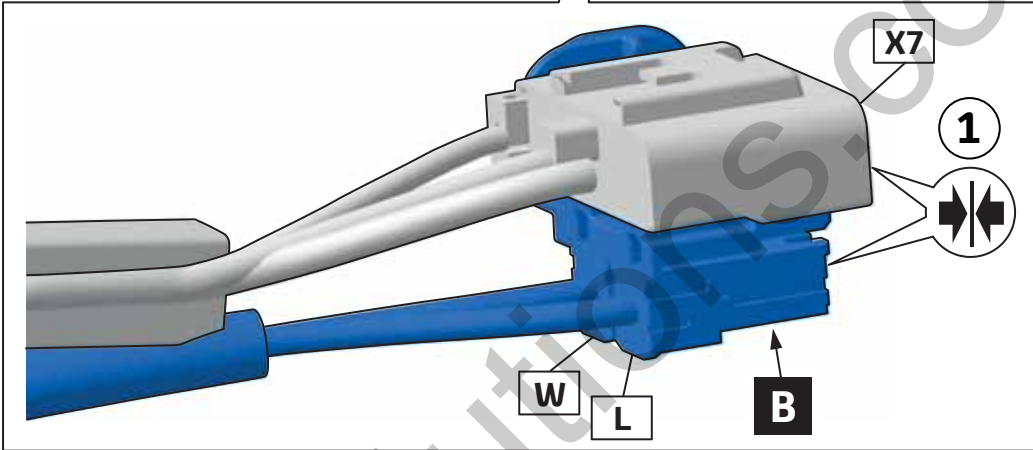
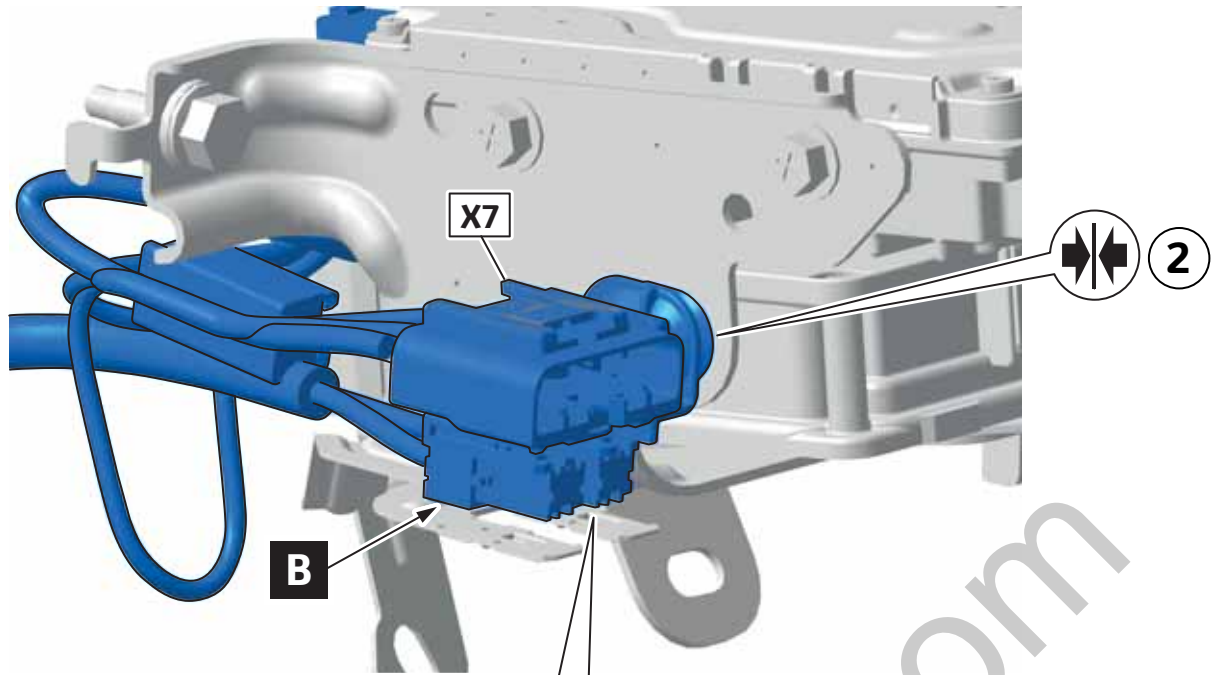





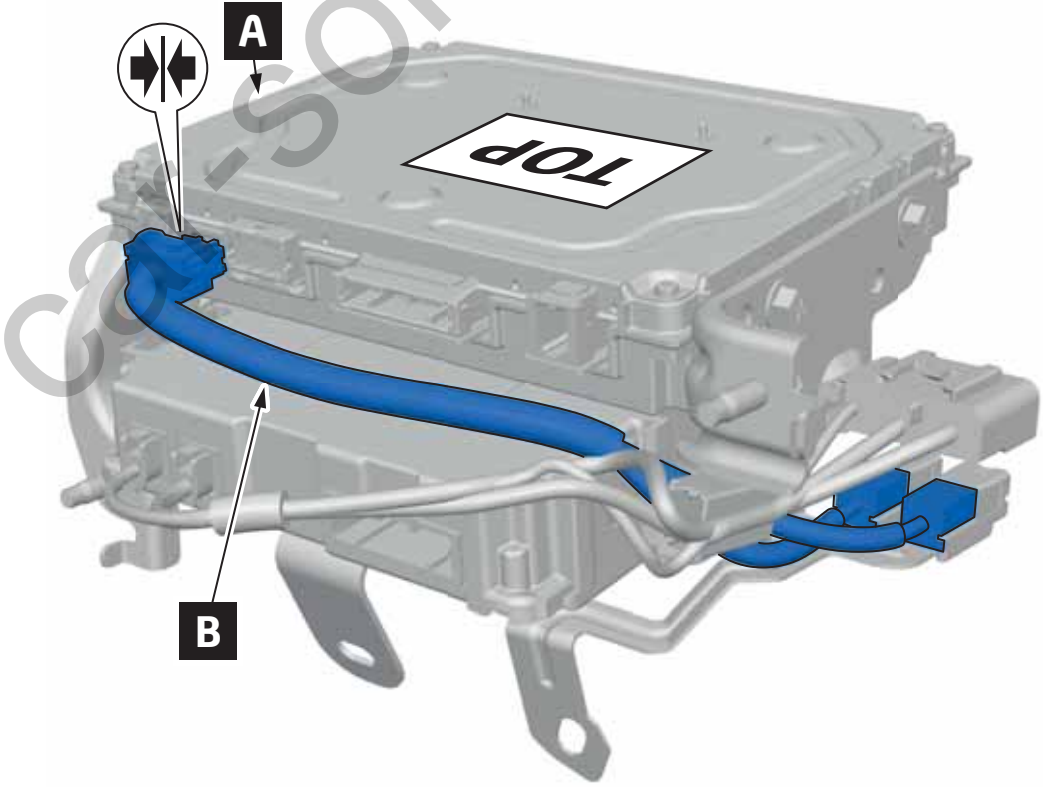
OPTIONAL w/o DCM



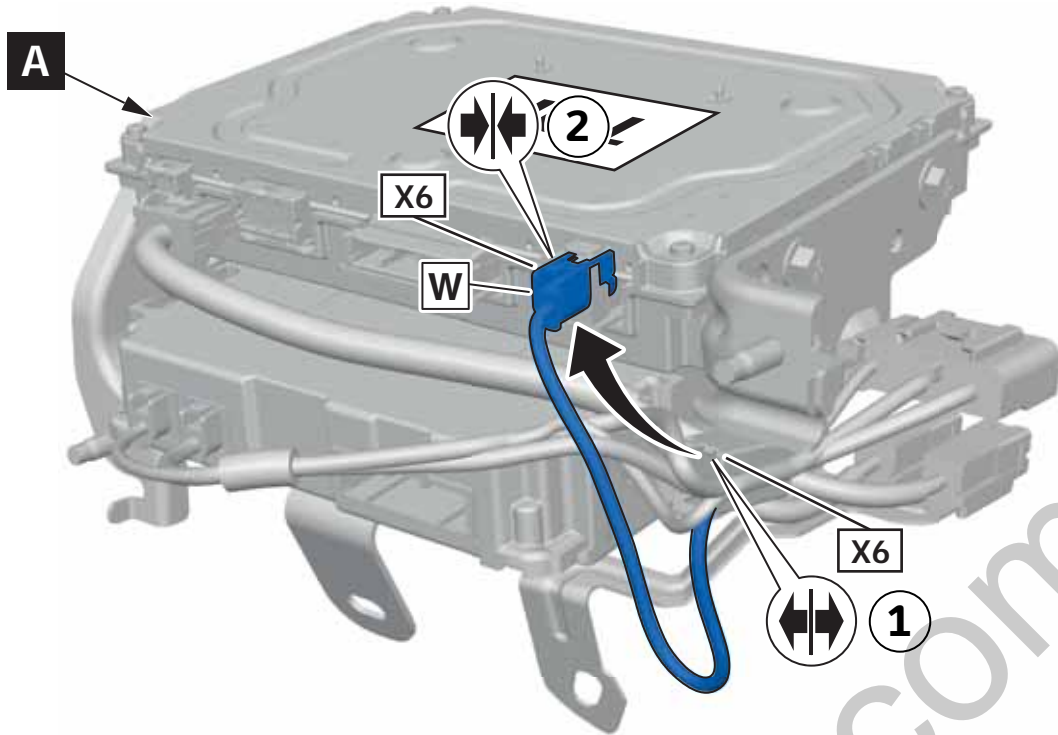




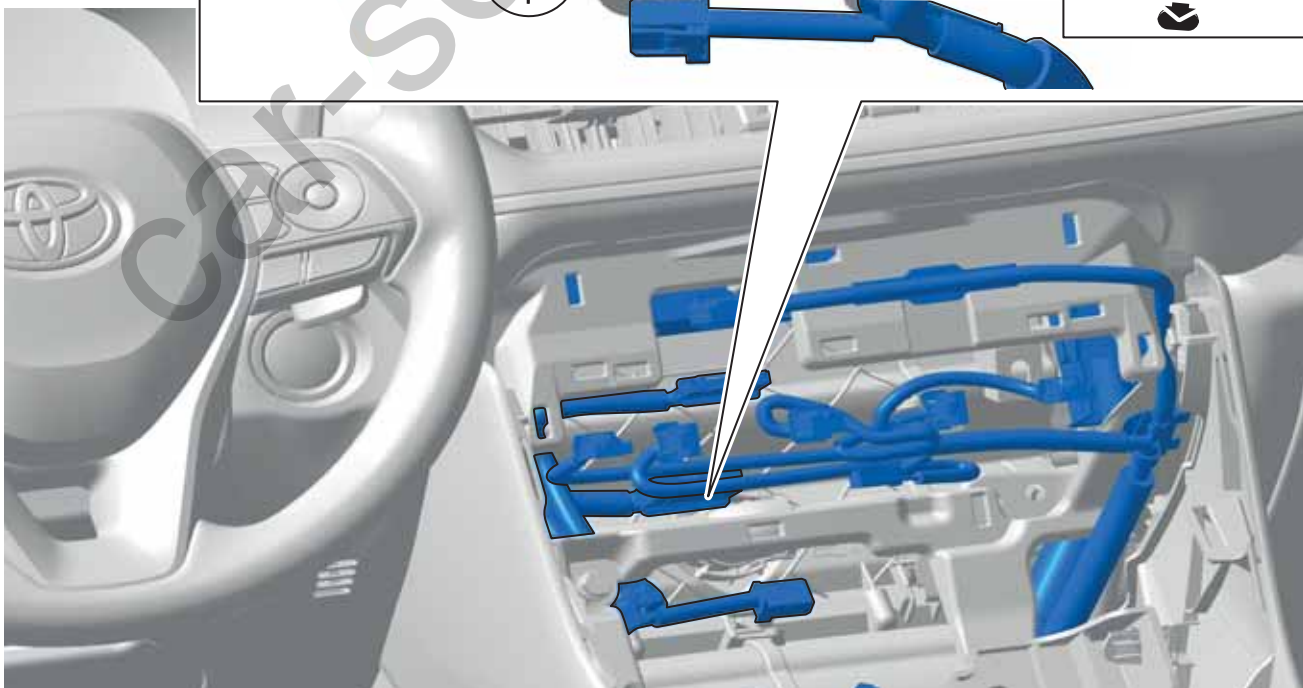
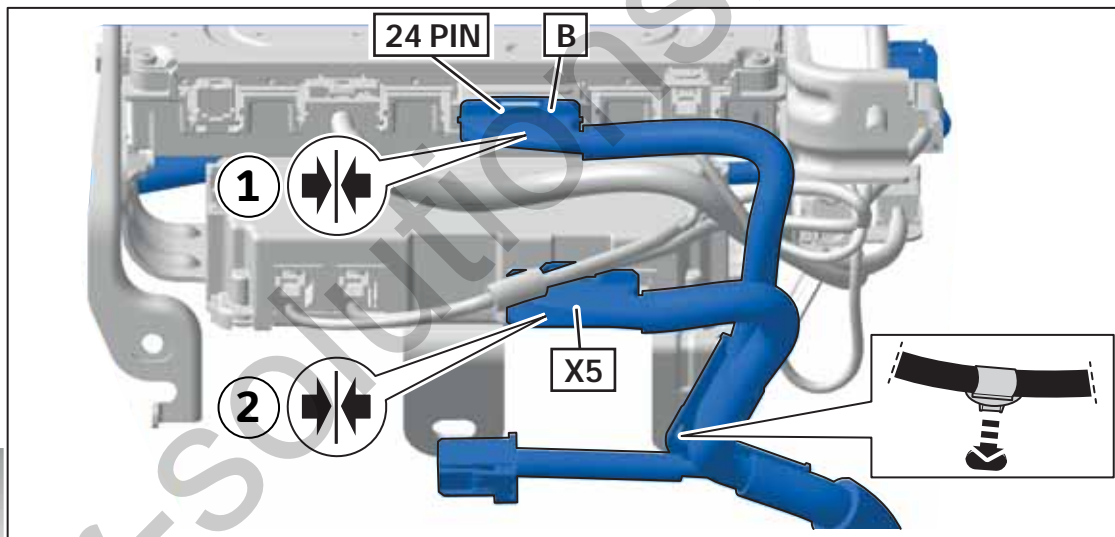
12



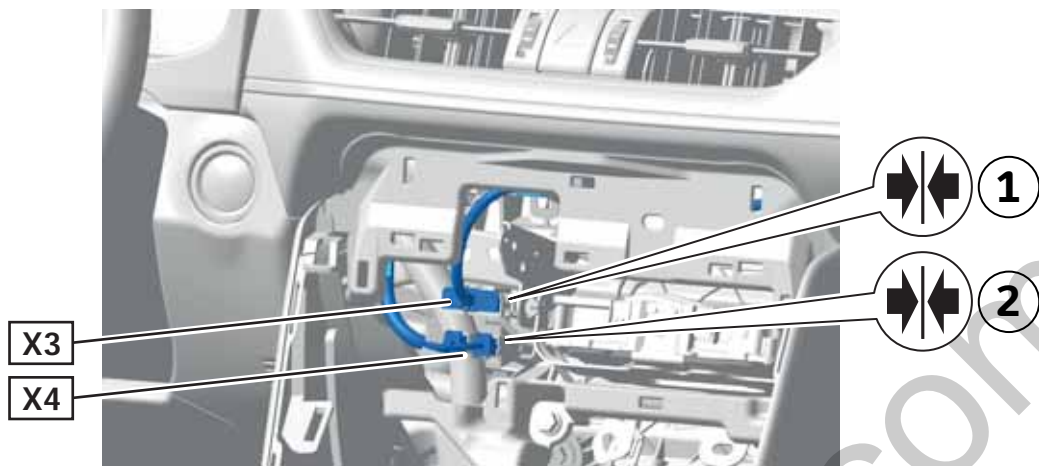
13



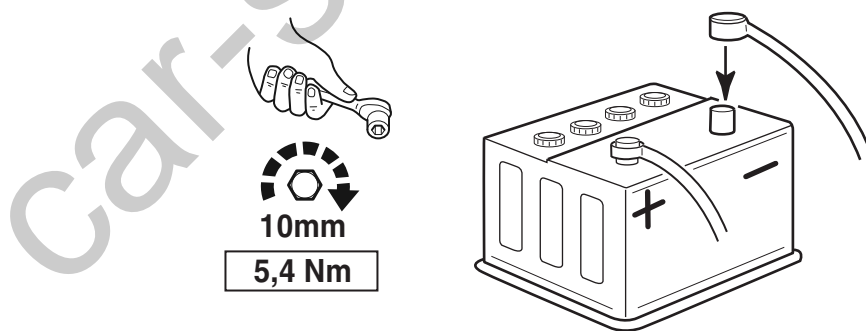
14



15



16



17