

UT376

User Manual of Digital Tire Gauge

Preface

Dear users,

Thank you for purchasing the brand-new gauge of Uni-T. In order to correctly use it, please carefully read the whole text of this user manual before using it. If you have already read it, you are suggested properly keep it with the gauge or in the place where you may consult it at any time, so that you may consult it in future during use.

Limited guarantee and limited liabilities

Uni-T guarantees that this product has no defect in terms of material and process within one year since the date of acquisition. This guarantee is not applicable to the damage resulted from accident, negligence, misuse, refit, pollution, improper operation or handling. The dealer has no right to grant any other guarantees on the behalf of Uni-T. In case of maintenance services during the warranty period, please contact the nearest Service Center authorized by Uni-T to get the authorization information about product return; then mail the product to this Service Center, with the description of product problem attached.

This guarantee is the only compensation that you may get. In addition, Uni-T will not provide any expressed or implied guarantee, such as implied guarantee which is applicable to certain special purpose. At the same time, Uni-T will be not liable for any special, indirect, incidental or subsequent damage or loss resulted from any cause or speculation. Because some states or counties do not allow to limit the implied guarantee and incidental or subsequent damage, the above-mentioned liability limitation and regulations may be not applicable to you.

I. Product Overview

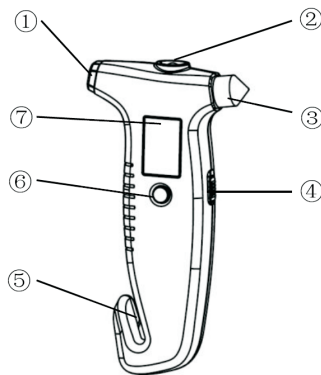


Figure 1 Composition of UT376 Digital Tire Gauge

①	Nozzle with LED light	⑤	Seat belt cutter
②	White LED torch	⑥	Switch button
③	Safety hammer	⑦	Display screen
④	Torch switch		

II. Operation Instruction



Figure 2 Display Symbols of LCD Screen

1. Meanings of Display Symbols of LCD Screen

No.	Meaning	No.	Meaning
①	Tire pressure display area	④	Tire pressure display unit bar
②	Prompt symbol of low power	⑤	Tire pressure display unit kPa
③	Tire pressure display unit psi	⑥	Tire pressure display unit kgf/cm ²

2. Manual Startup/ Shutdown

In the shutdown state, short press the switch button [⏻] the gauge will be started. In the startup state, long press the switch button [⏻] the gauge will be shut down.

3. Automatic Startup/ Shutdown

In the shutdown state, when certain pressure is detected by the gauge, it means that the tire pressure is being detected. The gauge will be started automatically and the tire pressure will be displayed. In the startup state, if no pressure is detected and there is no other operations, the gauge will be shut down automatically.

4. Detection and Reading Keeping


Aim at and press the tire valve with the nozzle to detect the tire pressure.

After the tire pressure is detected, the measured result will be displayed for about 10s, then reading will be reset.

5. Switch Tire Pressure Display Units

In the startup state, continue to short press the switch button [⏻], the display unit of the tire gauge may be switched. There are four units Conversion, including psi, bar, kPa and kgf/cm².

6. Prompt of Low Power

When the battery voltage is lower than about 2.1VDC, the icon  will be displayed on the upper right of LCD screen when the gauge is started and the symbol "LO" will be also displayed to prompt low power. When the batteries power are too low, user should replace them with new batteries. Otherwise, the gauge will not be started normally for work.

III. Product Specification

Measurement range: 5~99psi; 0.35~6.85bar; 35~685kPa; 0.35~7.00kgf/cm².

Resolution: 0.5psi; 0.05bar; 5kPa; 0.05kgf/cm².

Accuracy: ±(1%+1LSD) (25±5°C, within the range of 5~99psi).

Remarks: 1kgf/cm²=0.98bar=98kPa=14.2psi; the error

percentage is the full scale percentage.

Characteristics

Display Backlight	White backlight and will be automatically turned on after the gauge is started.
Nozzle Indicator light	Blue LED light and will be automatically turned on after the gauge is started.
LED torch	Highlighted white LED and can be turned on/ turned off independently.
Multi-unit display	Four pressure units including psi, bar, kPa and kgf/cm ² may be switched.
Reading keeping	The measured result will be kept for about 10s and then reading will be reset.

Automatic shutdown	In case of no operation within about 20s, the gauge will be shut down automatically.
Automatic startup	When the tire pressure is detected, the gauge is automatically started for detecting the tire pressure.
Low power indication	When the battery voltage is lower than about 2.1V, the prompt symbol of low power will be displayed when the gauge is started.
Safety hammer	It has the function of safety hammer and is used for emergency.
Seat belt cutter	It has the function of seat belt cutter and is used for emergency.
Operating temperature condition:	0°C~45°C
Operating humidity condition:	30%RH~80%RH
Storage temperature condition	-10°C~60°C
Storage humidity condition	20%RH~90%RH
Barometric pressure	In the environment with 1 standard barometric pressure

General Characteristics

Power supply	2 × 1.5V AAA batteries
LCD size	24mm×32mm
Product color	426U
Product net weight	About 142g
Product size	164mm×86mm×30mm
Standard individual packing	Blister, English Manual, warranty card

IV. Maintenance

1. Please do not put this product in the environment beyond the scope of operating condition of temperature, humidity and barometric pressure. Otherwise, the measurement accuracy will be affected or the product will be damaged.
2. Please do not disassemble the internal device and shell.
3. In case of cleaning, it will be OK to gently wipe the shell surface with a piece of dry cloth. Please do not use the wet cloth and water should not enter the product.
4. In case that the product is violently impacted or vibrated, its performance may be reduced.

UNI-T

UNI-TREND TECHNOLOGY (CHINA) CO., LTD.

No.6, Gong Ye Bei 1st Road,
Songshan Lake National High-Tech Industrial
Development Zone, Dongguan City,
Guangdong Province, China
Tel: (86-769) 8572 3888
<http://www.uni-trend.com>