



# Product Specifications

Full Color Asynchronous Controller

**HD-A3**

V3.1 20190418

## System Overview

HD-A3 is an LED control system for remote control and offline HD video playback for small-pitch LED advertising screens. Including asynchronous sending box HD-A3, receiving card R500/R501 and control software HDPlayer three parts.

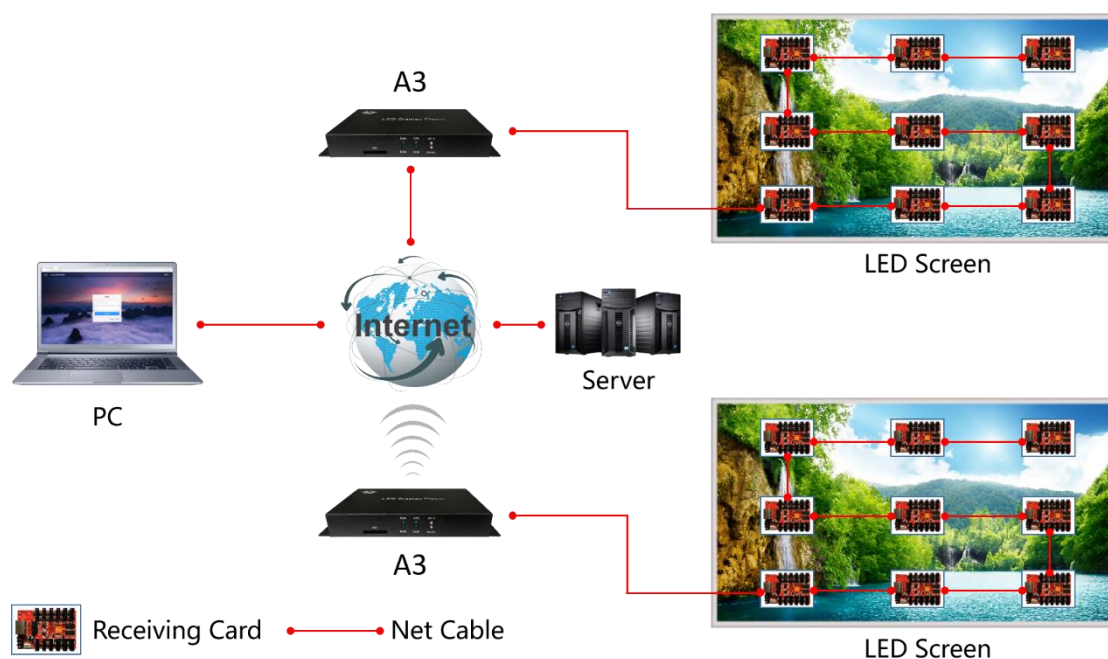
The user completes the parameter setting and program editing and transmission of the display through HDPlayer.

### Controlling System Configuration

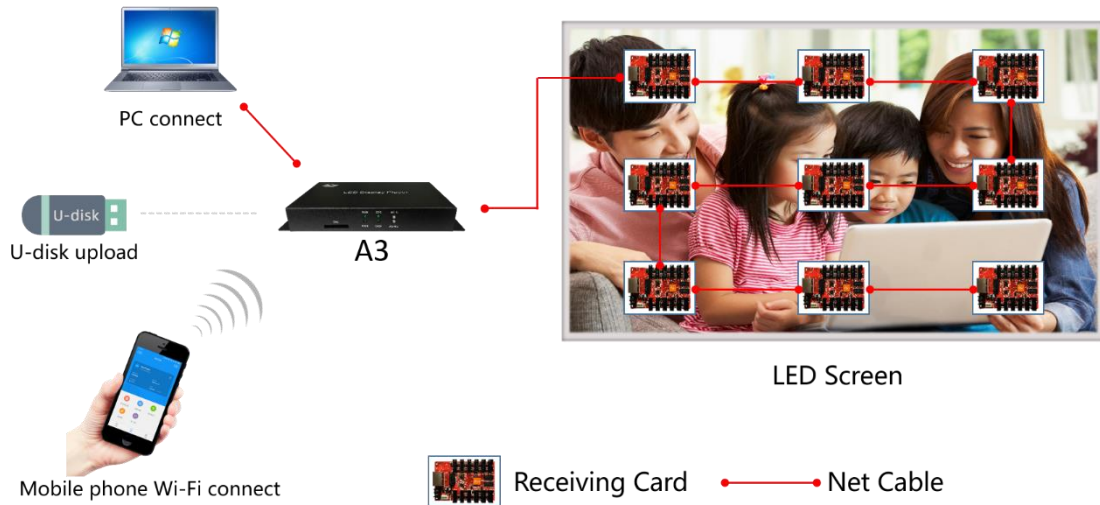
Product	Type	Functions
Async controller	HD-A3	Asynchronous core parts, It has 8GB memory.
Receiving card	R50X	Connected the screen, Showing program in the screen
Control Software	HDPlayer	Screen parameter settings, editing the program, send program, etc.
Accessories		12V Power Adapter, Network cables, etc.

## Control mode

1.互联网远程集群控制：播放盒可通过 3G/4G（选配）、网线连接、Wi-Fi 桥接的方式接入互联网。



2.异步一对一控制：通过网线连接、Wi-Fi 连接和 U 盘的方式更新节目。局域网（集群）控制可通过网线连接和 Wi-Fi 桥接两种方式接入局域网网络。



## Product Features

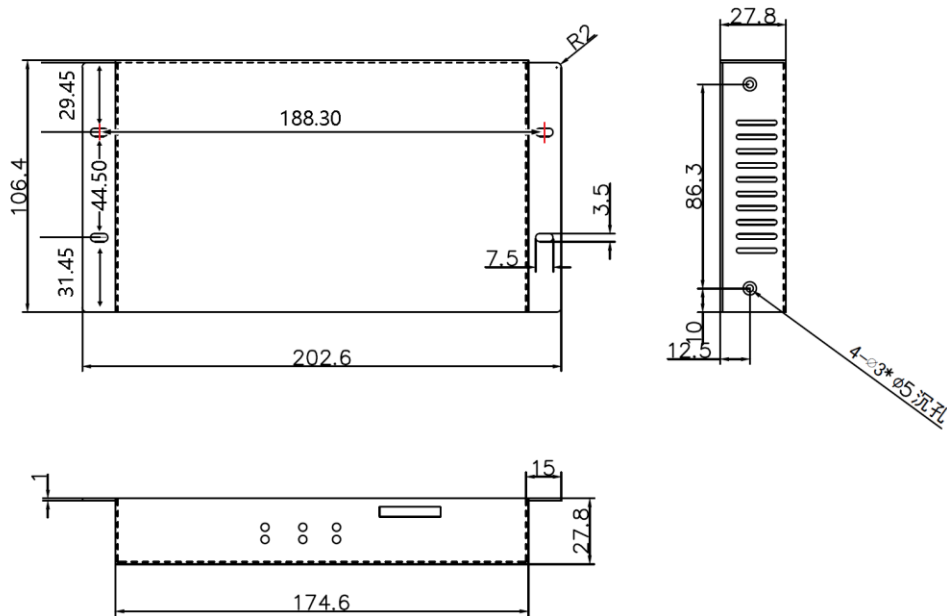
- Control Range: 1280\*512.
- 8GB memory, support expanding memory by U-disk.
- Support HD video decoding, 60Hz frame rate output.
- Support widest 4096 pixel, highest 2048 pixel.
- No need set IP address, it could be identified by controller ID automatically.
- Unified management of more LED display through Internet or LAN.
- Equipped with Wi-Fi, Mobile APP management.
- Equipped 3.5mm standard audio interface output.
- Support 3G/4G connection (Optional).

## System Function list

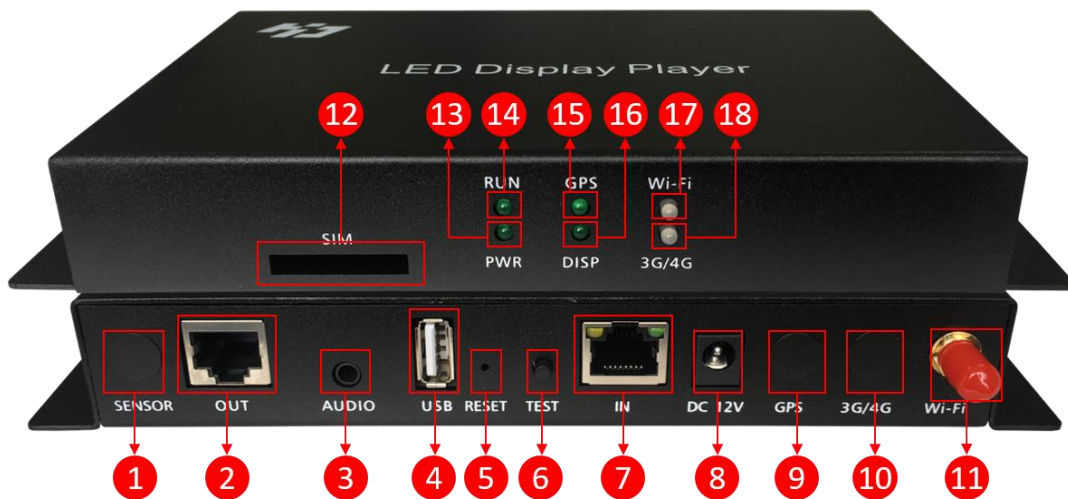
---

<b>Module Type</b>	Compatible with indoor and outdoor full color and single color module Support conventional chip and mainstream PWM chip
<b>Scan Mode</b>	Static to 1/64 scan mode
<b>Control Range</b>	Resolution: 1280*512, Widest 4960 pixel, highest 2048 pixel
<b>Gray Scale</b>	256-65536 (adjustable)
<b>Play Functions</b>	Video, Pictures, Gif, Text, Office, Clocks, Timing, etc. Support connected IR Remote, Temperature, Humidity, Brightness, PM Value sensor, etc.
<b>Video Format</b>	HD video hard decoding, 60Hz frame rate output. AVI, WMV, RMVB, MP4, 3GP, ASF, MPG, FLV, F4V, MKV, MOV, DAT, VOB, TRP, TS, WEBM, etc.
<b>Image Format</b>	Support BMP, GIF, JPG, JPEG, PNG, PBM, PGM, PPM, XPM, XBM, etc.
<b>Text</b>	Text editing, Image, Word, Txt, Rtf, Html, etc.
<b>Document</b>	DOC, DOCX, XLSX, XLS, PPT, PPTX, etc. Microsoft Office 2007 Document format
<b>Time</b>	Classic Analog Clock, digital clock and various of clock with image background
<b>Audio output</b>	Double track stereo audio output
<b>Memory</b>	8GB Flash Memory, support expanding memory by U-disk
<b>Communication</b>	100/1000 Mbps RJ45 Ethernet, Wi-Fi, 3G/4G, LAN, USB
<b>Working Temp</b>	-40°C-80°C
<b>Port</b>	IN: 12V Power Adapter*1, 1Gbps RJ45*1, USB 2.0*1, Test Button*1, GPS, 3G/4G(Optional), Sensor port*1, OUT: 1Gbps RJ45*1, AUDIO*1

## Dimension Chart



## Appearance Description



1. Sensor port: connected to temperature, humidity, brightness, PM2.5, noise sensor, etc.
2. Output 1Gbps network port: connect to receiving card.

3. Audio output port: support standard two-track stereo output.
4. USB port: connected to USB device, e.g U-disk, Mobile hard disk, etc.
5. Reset button: restore factory settings.
6. Test button: after smart setting, each press will appear red, green, blue, white, shaded test line sequentially.
7. Input network port: connected to the computer network port.
8. Power port: connected 12V DC.
9. GPS port: satellite time correction & satellite positioning (Optional).
10. 3G/4G Port: connected 3G/4G antenna (Optional).
11. Wi-Fi Port: connected Wi-Fi antenna.
12. SIM card slot: inserted with 3G/4G card for 3G/4G internet (Optional).
13. PWR power light: normally working.
14. RUN running light: normal flashes.
15. GPS light: normal green flashes (Optional).
16. DISP running light: normal green flashes.
17. Wi-Fi light: normal green flashes.
18. 3G/4G light: normal green flashes (Optional).

## Technical Parameters

---

	Minimum	Typical	Maximum
<b>Rated Voltage(V)</b>	11.2	12	12.5
<b>Storage Temp(°C)</b>	-40	25	105
<b>Work environment</b>	-40	25	80
<b>Work environment</b>	0.0	30	95
<b>Humidity (%)</b>			

Note: To ensure long-term stable operation of the system, please keep using a standard 12V adapter for supply power.