

Product Specifications

Full Color Asynchronous Control Card

HD-C15C

V1.0 20190508

System Overview

HD-C15C Full Color Asynchronous Controller System is a LED control system that supports mobile APP control, Web remote control and offline play HD Video.

Support computer control software *HDPlayer*, mobile phone control software *LedArt* and *HD Cloud Platform*.

HD-C15C integrated sending card and receiving card function, can single cassette with small screen, can also add HD-R50X receiving card control bigger screen.

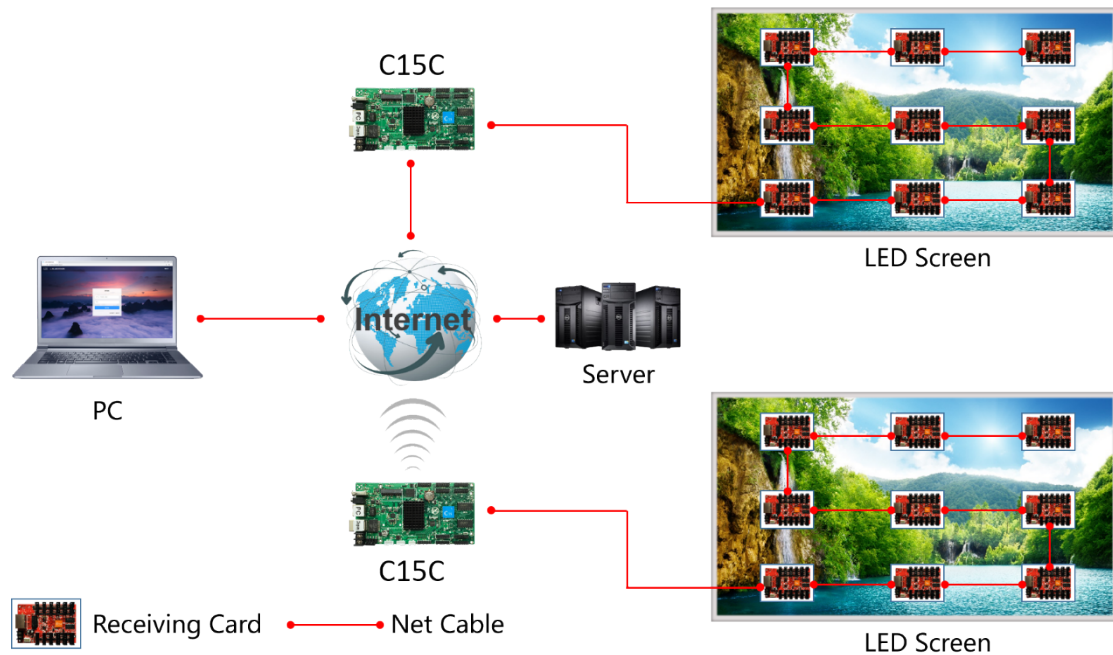
Controlling System Configuration

| Product | Type | Functions |
|------------------------------|-------------|--|
| Async controller Card | HD-C15C | Asynchronous core control panel, with storage capabilities, can be connected to the screen body, with 10 HUB75E. |
| Receiving Card | R50X Series | Connected with screen, Showing program in Screen. |
| Control Software | | Screen parameters setting, edit & send program etc. |

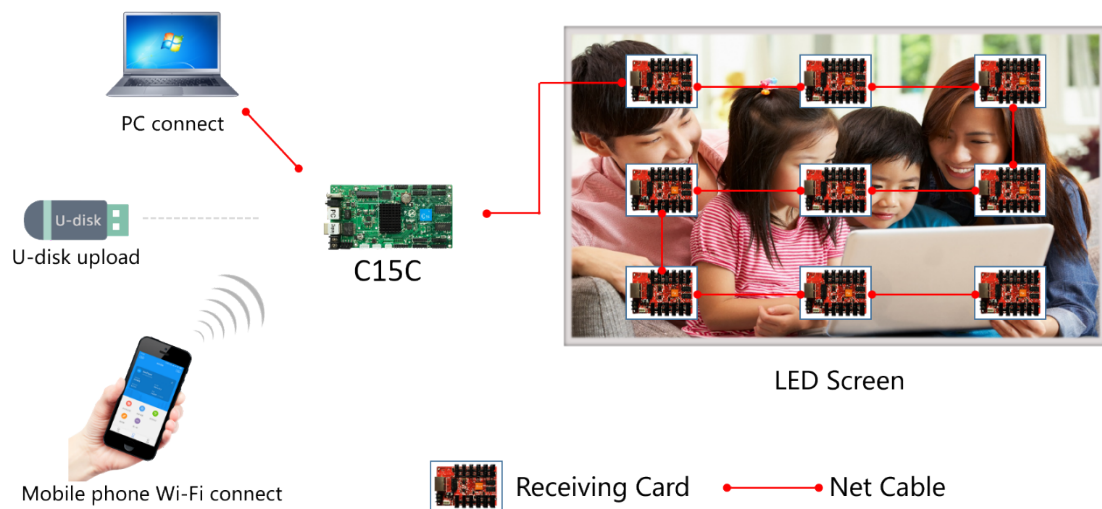


Control mode

1. Internet unified management: The play box can be connected to the Internet through 3G/4G (optional), network cable connection, or Wi-Fi Bridge.



2. Asynchronous one-to-one control: Update programs by network cable connections, Wi-Fi connections or USB flash drives. LAN (cluster) control can access the LAN network through by network cable connection or Wi-Fi Bridge.



Product features

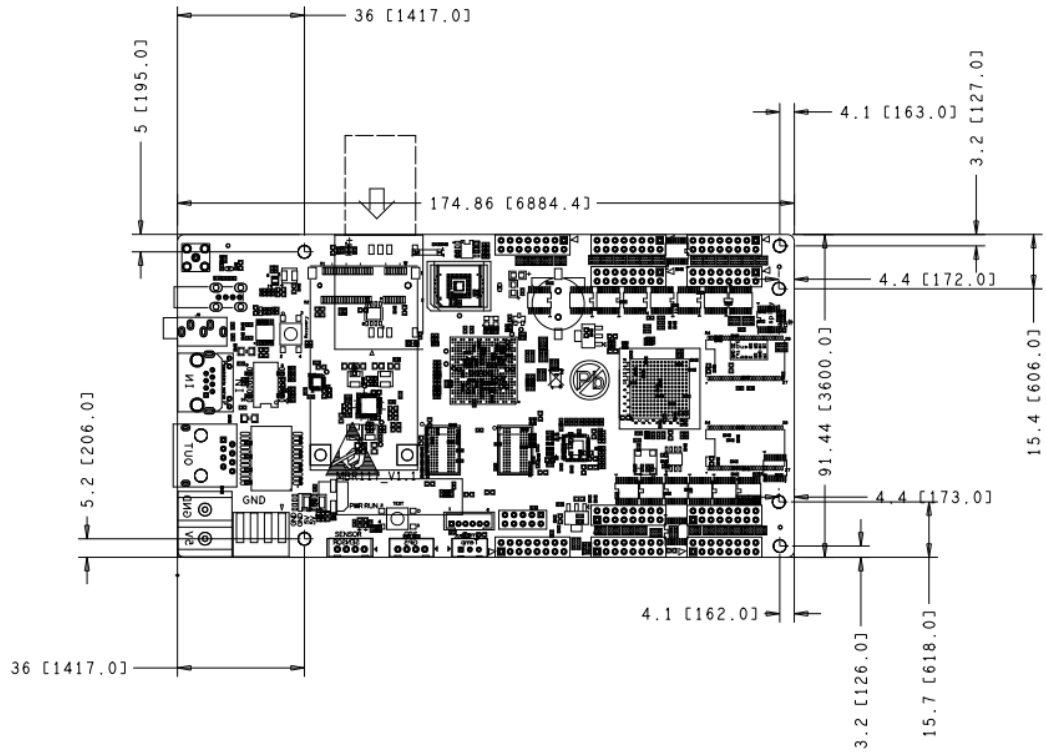
- Control Range: 384*320.
- 4GB memory, support expanding memory by U-disk.
- Support HD video hardware decoding, 60Hz frame rate output.
- Support widest 1024 pixel, Highest 512.
- No need set IP address, it could be identified by controller ID automatically.
- Unified management of more LED display through Internet or LAN.
- Support Wi-Fi connection, Mobile APP management.
- Equipped 3.5mm standard audio interface output.
- Support 3G/4G connect to Internet (Optional).

System function list

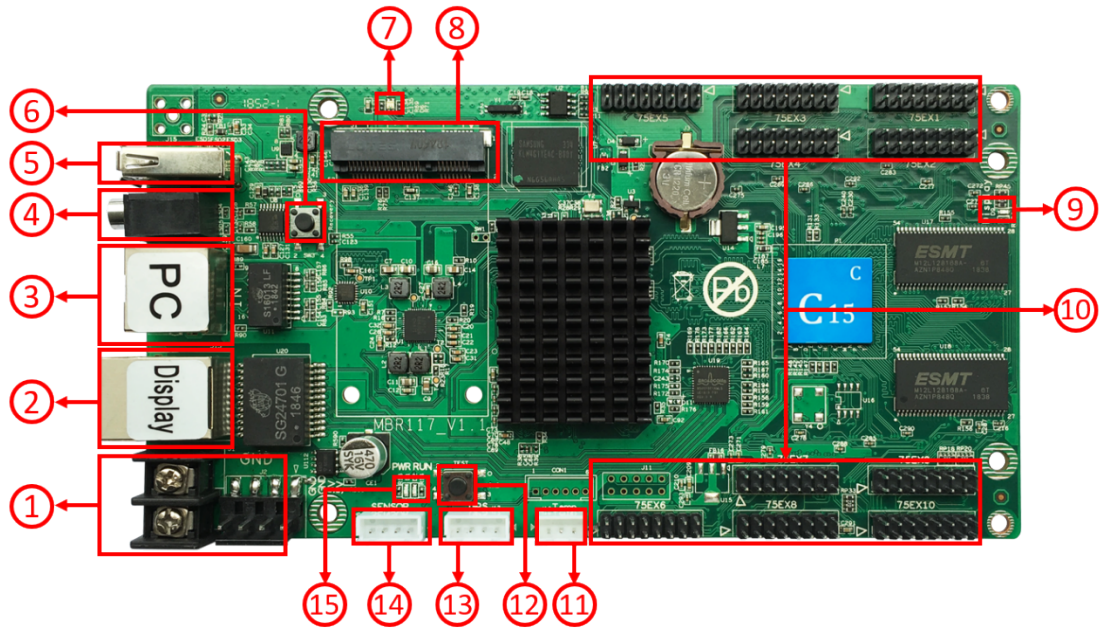
| | |
|---------------------|---|
| Module type | Compatible with indoor and outdoor full color and single color module Support conventional chip and mainstream PWM chip |
| Scan Mode | Static to 1/64 scan mode |
| Control Range | 384*320, widest 1024, highest 512 |
| Gray Scale | 256-65536 |
| Basic functions | Video, Pictures, Gif, Text, office, Clocks, Timing etc. Remote, Temperature, Humidity, Brightness etc. |
| Video format | Support 1080P HD video hardware decoding, direct transmission, without transcoding waiting. 60Hz frame frequency output AVI, WMV, MP4, 3GP, ASF, MPG, FLV, F4V, MKV, MOV, DAT, VOB, TRP, TS, WEBM, etc. |
| Image Format | Support BMP,GIF,JPG,PNG,PBM,PGM,PPM,XPM,XBM etc. |
| Text | Text editing, Image, Word, Txt, Rtf, Html etc. |
| Document | DOC, DOCX, XLSX, XLS, PPT, PPTX etc.Office2007Document format. |
| Time | Classic Analog clock, digital clock and of clock with image background. |
| Audio output | Double track stereo audio output. |
| Memory | 4GB Flash memory; Indefinite expanding of U-disk memory. |
| Communication | 100M RJ45 Ethernet, 3G/4G (Internet), Wi-Fi, USB, LAN. |
| Working Temperature | -20°C-80°C |
| Port | IN:5V DC*1, 100 Mbps RJ45*1, USB 2.0*1, test button*1 OUT:1Gbps RJ45*1, AUDIO*1, HUB75E*10 |

Dimension Chart

HD- C15C dimension chart follow:



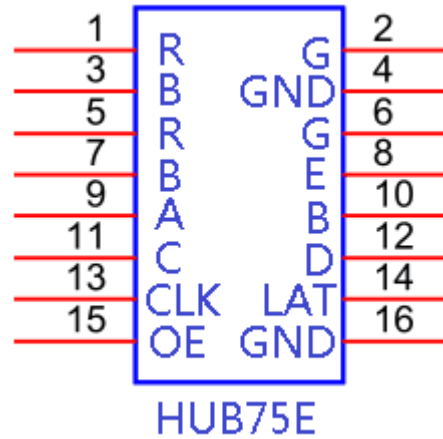
Appearance Description



1. Power Supply port: connected 5V DC power supply.
2. Output network port: 1Gbps network port, connect to receiving card.
3. Input Network port: Connect to PC or router.
4. Audio output port: support standard two-track stereo output.
5. USB port: connected to USB device, e.g. U-disk, Mobile hard disk etc.
6. Recovery button: Reply to default parameters.
7. Wi-Fi and 3G/4G module indicator light: Wi-Fi and 3G/4G module work state.
8. Mini PCIE port: connected Wi-Fi or 3G/4G module.
9. Display indicator light: working status is Flicking.
10. HUB75E port: connected to LED modules.
11. Temp port: connected temp sensor.
12. Test button: LED screen burn-in test.
13. GPS port: connected GPS module.
14. Sensor port: connected S108 and S208 sensor.
15. Controller work state indicator light: D1 is Power lamp, D2 is RUN lamp.

Interface definition

Onboard 10 HUB75E port



Technical Parameters

| | Minimum | Maximum |
|--------------------------------|---------|---------|
| Rated voltage(V) | 4.2 | 5.5 |
| Storage temperature(°C) | -40 | 105 |
| Work environment humidity (°C) | -40 | 80 |
| Work environment humidity (%) | 0.0 | 95 |

Precaution

- 1) To ensure that the control card is stored during normal operation, make sure the battery on the control card is not loose,
- 2) In order to ensure the long-term stable operation of the system; please try to use the standard 5V power supply voltage.