

Installation manual

Q-ROI3 RGB

Car-Solutions.com

Warning / Precautions!



Warning

- Always wear a seatbelt. In case of a sudden stop, it may cause a passenger harm
- Remove dust, oil, and waste on the display.
- Manufacturer does not take a responsibility of Incidental damages that occurs whether or not passengers use its product.
- Drivers must not use/control the product while driving. Park the car in a safe place in the first place before using it.
- Do not use the product for a long time while engine is turned off. The car battery might go flat.
- A map guided on the screen might not be in concordance with the actual road condition. In a such condition, follow the actual traffic situation.

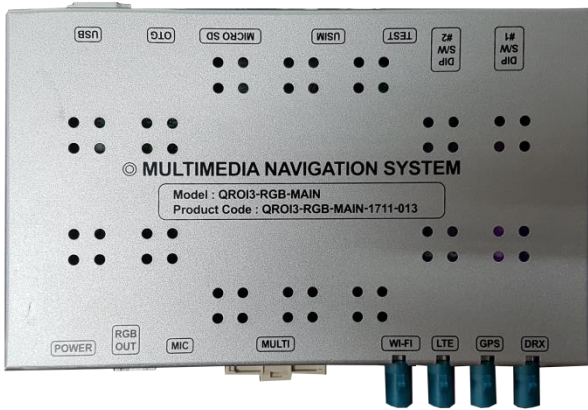
1. Feature

- Android 6.0.1 (Marshmallow)
- Powerful CPU (1.1GHz Cortex A7 Quad-Core CPU)
- Able to install and update various application via Android Play-Store
- Provides High quality video display (800 x 480, RGB or CVBS))
- Multiple ways to store data and communication ports
(Dual USB, 1*Micro SD slot)

2. Specification

INDEX	CONTENS
OS	Android 6.0.1 (Marshmallow)
CPU	MSM8909 (Qualcomm Cortex-A7 Quad 1.1GHz)
Memory	1GByte DDR3
Internal Storage	8GByte eMMC
Display	Analog RGB + Composite HYSync
Resolution	800 x 480 (WVGA)
SD CARD	Single microSD slot
GNSS	GPS/GLONASS/BeiDou FAKRA Connector (with GPS Antenna, 5m)
USB	Dual USB(A) Host (with Dual USB Host Cable)
LTE/3G Network	Frequency Bands FDD LTE: B1/B3/B5/B7/B8/B20 TDD LTE: B38/B40/B41 WCDMA: B1/B5/B8 GSM: 850/900/1800/1900Mhz FAKRA Connector (with Dipole Antenna)
USIM	Single USIM slot
WLAN Bluetooth	2.4G/5.8G, 802.11b/g/n BT2.1+EDR/3.0/4.1LE FAKRA Connector (with Dipole Antenna)
Touch	C-Touch, R-Touch, UART-Touch (within Multi cable)
Video Input	none
Map voice exclusive Speaker	Φ 57 mm 4Ω /2 W Speaker (within Multi cable)
Audio Output	Stereo AUX (within Multi cable: dual RCA) Bluetooth(Source)
Language	Worldwide language (Support Google android's world language) Virtual Keyboard: English
Power	DC +12V/2A
Operating Temperature	-10°C ~ +70°C
Storage Temperature	-20°C ~ +80°C
Dimension	150mm(W) x 100mm(H) x 25mm(D)

3. Components



Mainboard * 1ea



POWER * 1ea
(HPOWER0137)



MULTI * 1ea
(HAERTC0208)



GPS * 1ea
(HAGPS0003)



Dipol extension
cable* 2ea
(HAGPS0006)



USB extension
cable * 1ea
(HARETC0111)



RGB * 1ea
(HRGBCA0025)



MIC * 1ea
(MICPHOC0002)



Dipol Antenna * 2ea
(ETCETC0332)



SPKEAR * 1ea
(SPEAKER007)



BUTTON * 1ea
(HARETC0001)



Resistive touch * 1ea
(HTOUCH0022)



Capacitive Touch * 1ea
(HTOUCH0036)

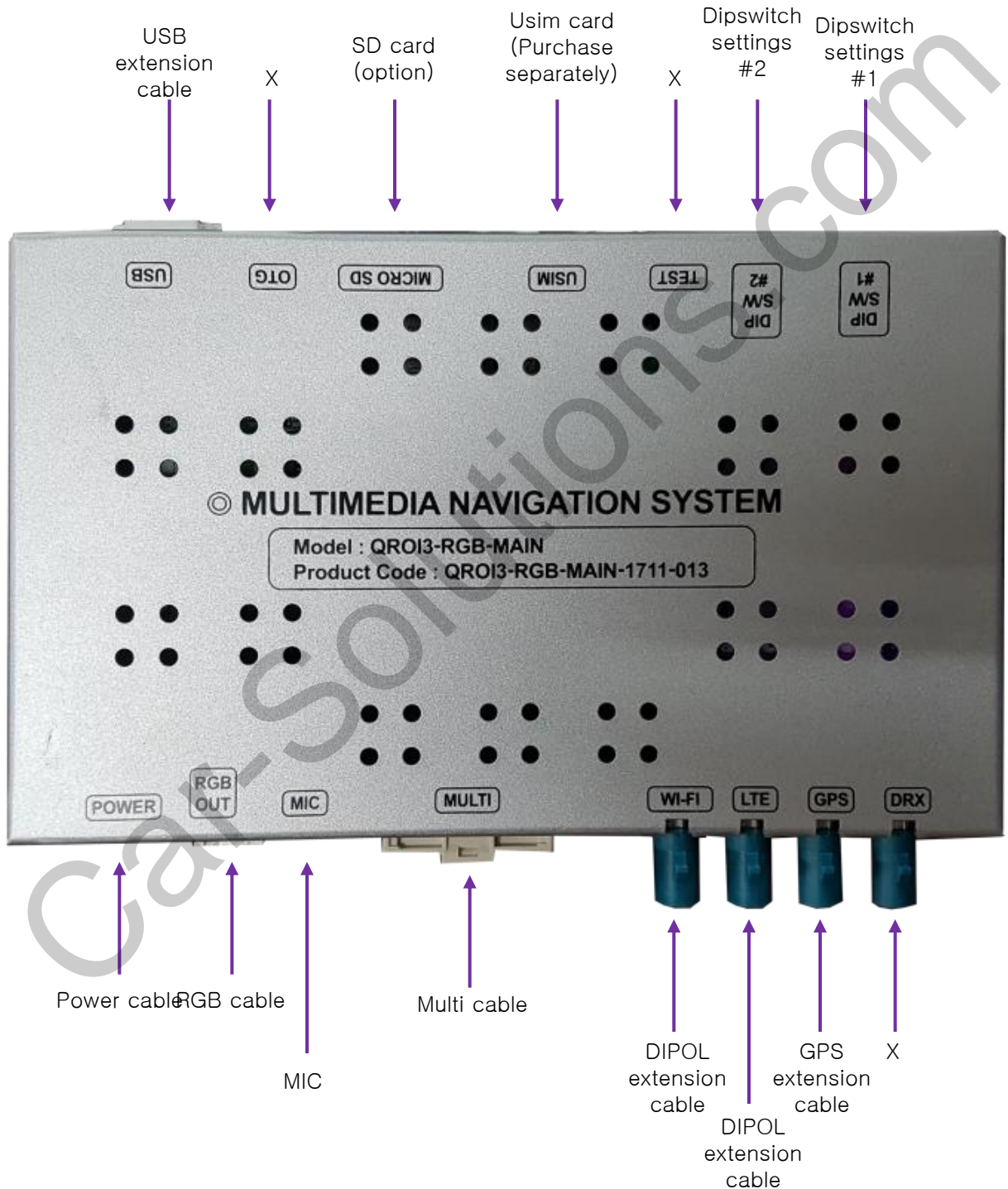


C-Touch Board * 1ea
(QCPASS0821)



C-Touch extension
board* 1ea

4. Product Exterior



5. Dip switch



RGB (High resolution)
- Resistive touch



RGB (High resolution)
- Uart touch
- Capacitive touch (8, 8.4inch)



RGB (High resolution)
- Uart touch
- Capacitive touch (12.2)

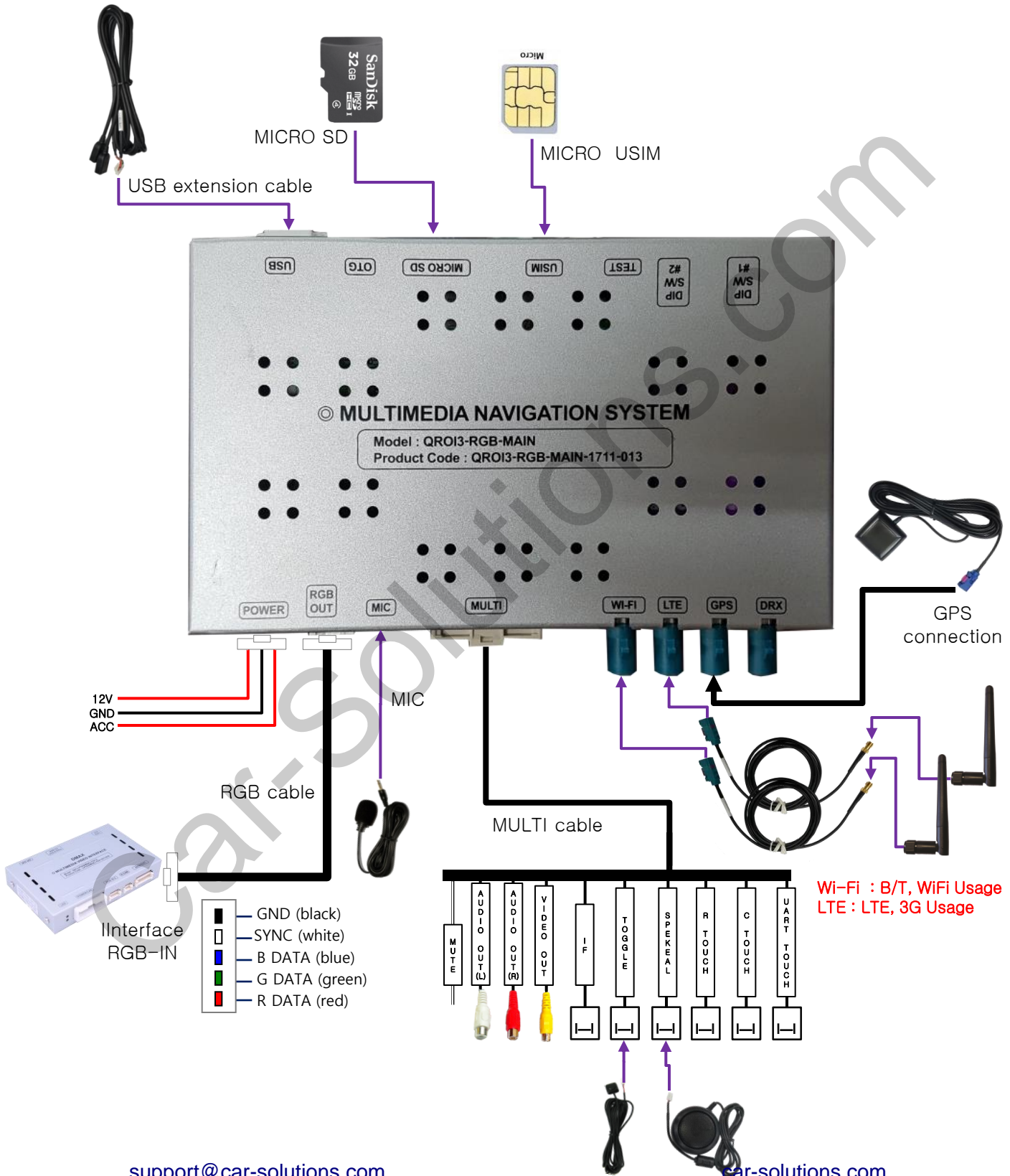


RGB (Low resolution)
- Uart touch
- Resistive touch

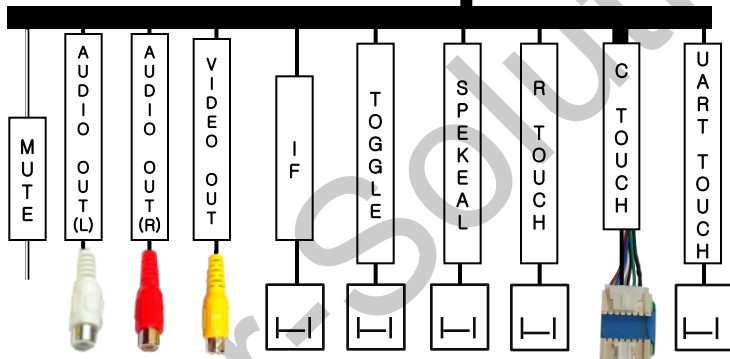
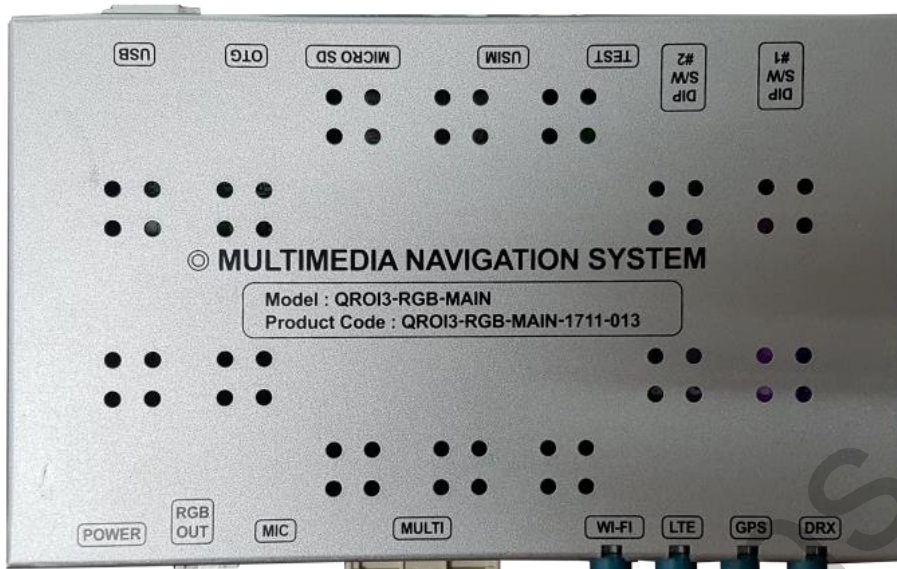


CVBS
- Resistive touch

6. Installation diagram



7.1 Capacitive touch installation



Capacitive touch film



FPC connection

Capacitive cable



RGB (High resolution)

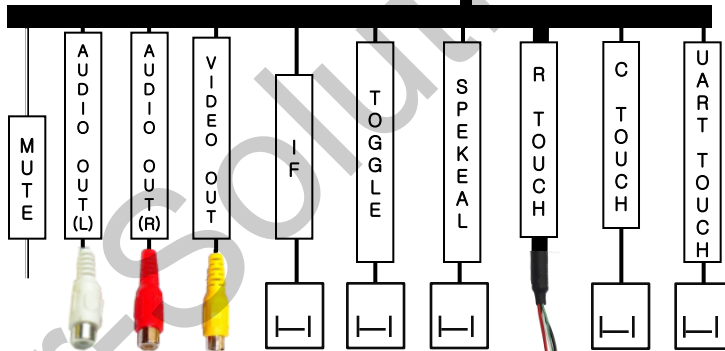
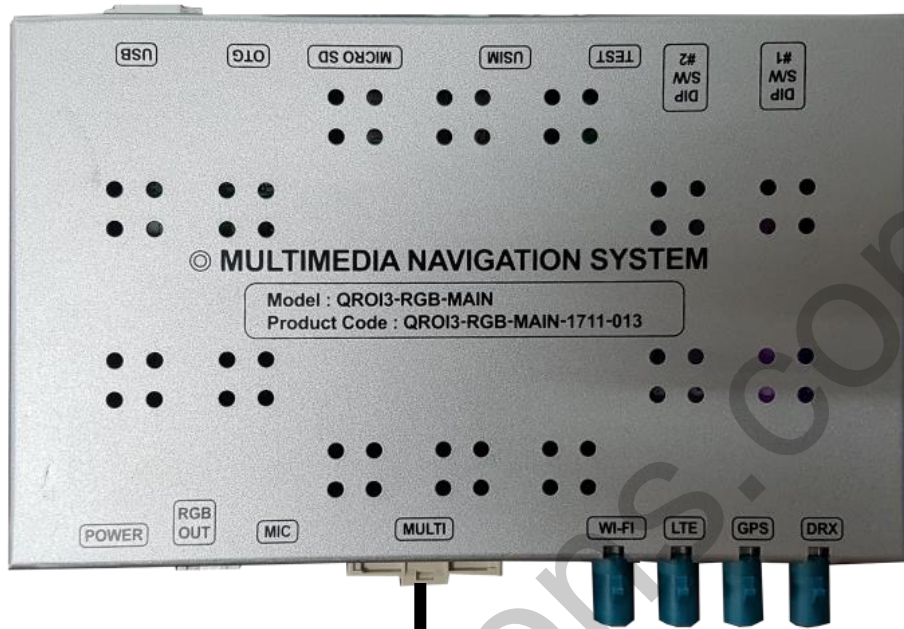
- Uart touch
- Capacitive touch(8, 8.4inch)



RGB (High resolution)

- Uart touch
- Capacitive touch(12.2)

7.2 Resistive touch installation



RGB (High resolution)
- Resistive touch

Resistive cable



Interface

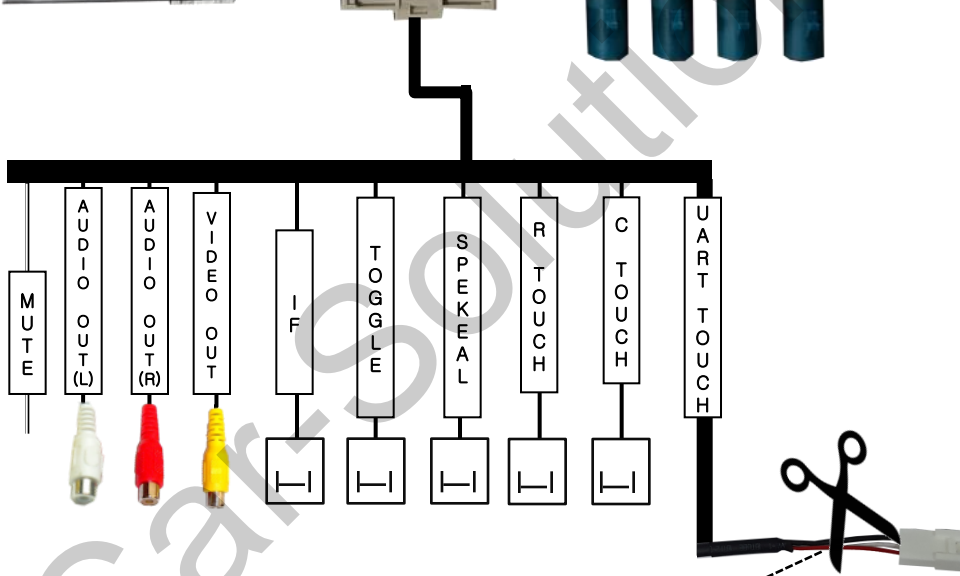
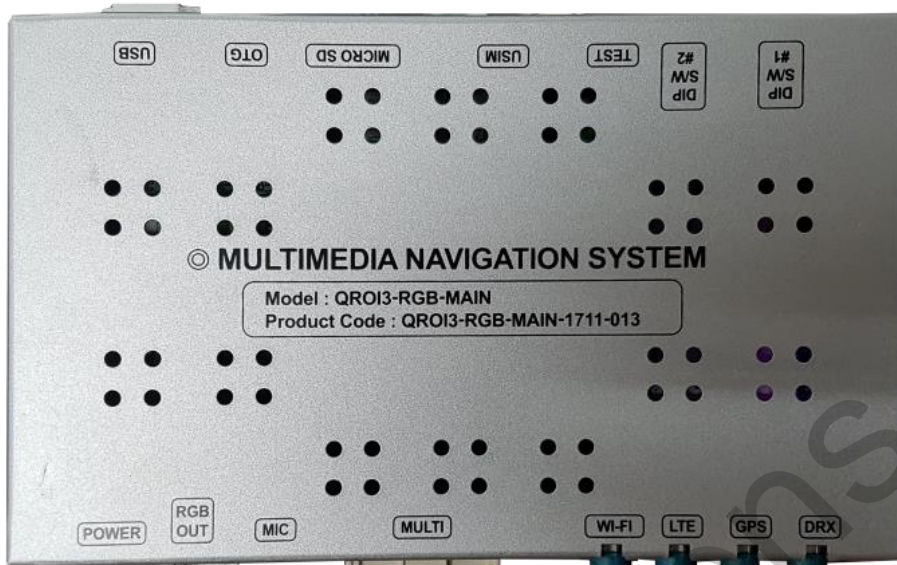


RGB (Low resolution)
- Uart touch
- Resistive touch

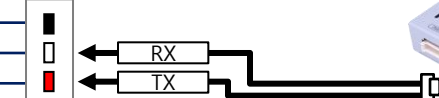


CVBS
- Resistive touch

7.3 Uart touch installation



GND (Black)
TX (White)
RX (Red)



Interface UART Cable



RGB (High resolution)
- Uart touch
- capacitive touch(8, 8.4inch)



RGB (High resolution)
- Uart touch
- capacitive touch(12.2)