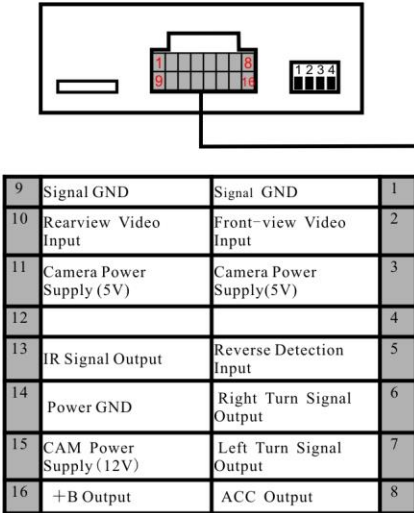
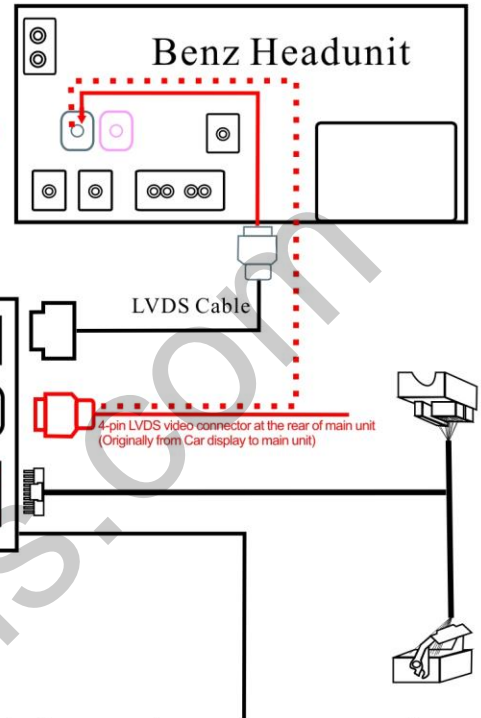


## Mercedes-Benz NTG4.5 Rearview Interface Installation Guide

Wiring diagram:



Note:  
Please turn ignition OFF before installing the interface.



1	GND	Power Ground
2	CAN-L	CAN Bus Low (To Pin #9 of the Headunit Connector)
3	CAN-H	CAN Bus High (To pin #11 of the Headunit Connector)
4	ACC	ACC Power Input(12V)

DIP	options		DIP	options	
Sw1 Front view	OFF	Disable	Sw3 iPas	OFF	Enable
	ON	Enable (Auto-switch)		ON	Disable
Sw2 DVR	OFF	Disable	Sw4 Resolution	OFF	400*240
	ON	Enable (take place of Front view. Switch by long-press RETURN button on steering wheel)		ON	800*480

## Mercedes-Benz NTG4.5 Rearview interface Installation Guide

Model : RS-2102

Notice:

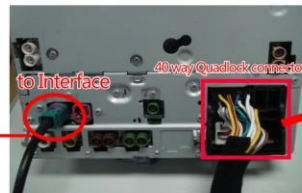
1. Keep flameout & unplug car key before installation
2. Please make sure this interface matches with your car model



1. Use special trim removal kits to take out of main unit (Position depends on car models)



2. Plug the original LVDS connector into interface (Green connector showed pic-3)



3. Plug out off original Grey-LVDS at the rear of Host, and use interface LVDS instead (Green or Black color)



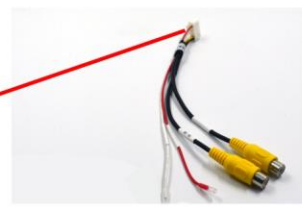
4. Plug&Play car original 40 way Quadlock connector to interface Quadlock one, and replace its position with another end of interface connector.



(4) . Plug out of the 40 way Quadlock connector at rear of main unit.)



5. Connect camera inputs cable to interface.



6. Connect cameras as per the definition on cable. (Camera can get power from ACC wire besides RCA connector)



7. Performance of interface. (displayed when shift into Reverse gear)