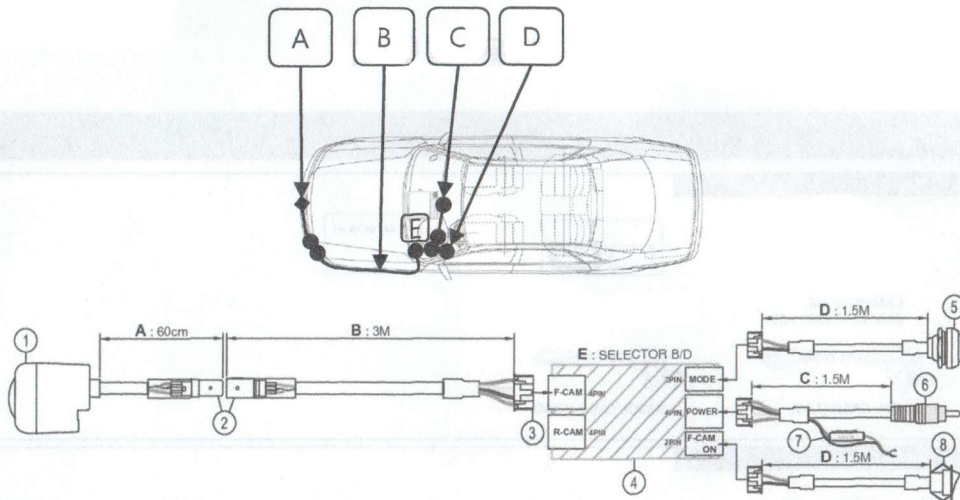
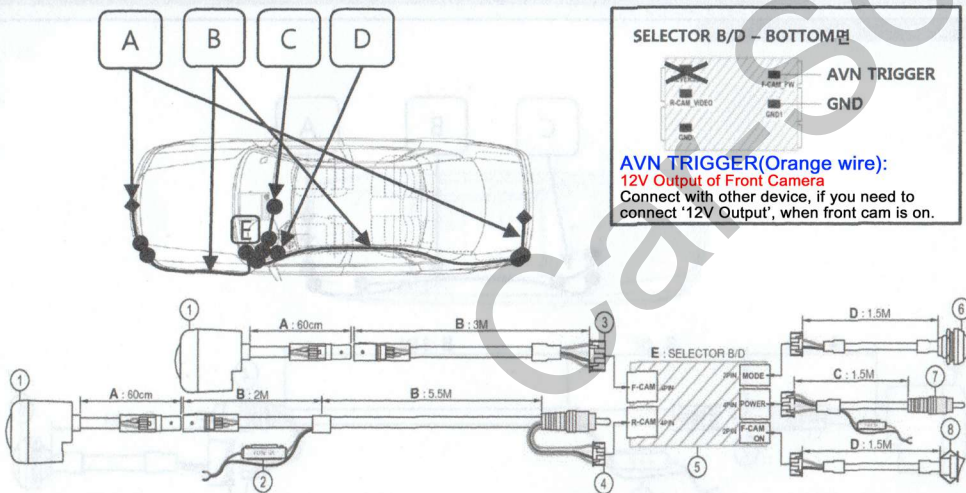


Front-View Camera



①	Camera Body	⑤	PUSH Switch (Mode switching)
②	Circle Type Connector (Male / Female)	⑥	Camera Video Out
③	Front Camera Extension Connector	⑦	POWER 12V IN (FUSE 3A)
④	Selector Board	⑧	ON/OFF Switch(Front Camera)

Rear + Front Camera



①	Camera Body	⑤	Selector Board
②	POWER 12V IN (FUSE 3A)	⑥	PUSH Switch (Mode Switching)
③	Front Cam Extension Connector	⑦	Camera Video Out (Front+Rear Output)
④	Rear support@car-solutions.com	⑧	ON/OFF Switch(Front Camera)

Front Camera + Universal Rear Camera

**A**

**PIN**

NO.	DESCRIPTION
①	VCC
②	CVBS VIDEO
③	P-GND
④	UART COMM

SELECTOR B/D - TOP

**C**

SELECTOR B/D - BOTTOM

AVN TRIGGER  
GND

**B**

SELECTOR B/D - BOTTOM

**D**

**PIN**

NO.	DESCRIPTION
①	REVERSE
②	CVBS VIDEO
③	P-GND
④	NC

SELECTOR B/D - TOP

**A** Pin Specification of Front Camera Connector

**B** Solder Universal R-CAM's wires with selector board. (Not recommend! Type D(Connector) is easily than Type B)

**C** AVN TRIGGER: 12V Output of F-CAM  
GND: Ground

**D** Splice R-CAM's wires with R-CAM connector

How to use

You can change each view mode and set the camera by provided 'PUSH Switch'.  
Entering in to the setting mode: Press the 'PUSH Switch' for 2 seconds long.

Action: Rear-View Camera

