

# CONNECTION DIAGRAM

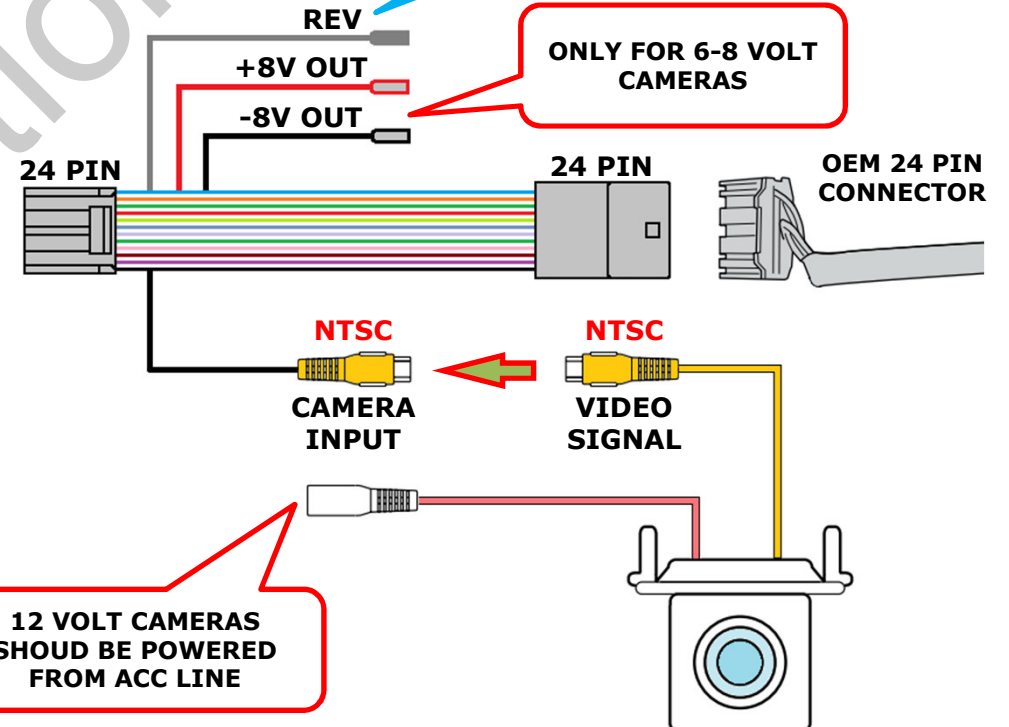
THE CABLE SHOULD BE CONNECTED BEHIND THE OEM RADIO



24 PIN SOCKET FOR REAR VIEW CAMERA CONNECTION

REV - CAMERA ACTIVATION CONNECT TO WIRE +12 VOLT OF CAR REVERSE LAMP

ONLY FOR 6-8 VOLT CAMERAS



12 VOLT CAMERAS SHOULD BE POWERED FROM ACC LINE