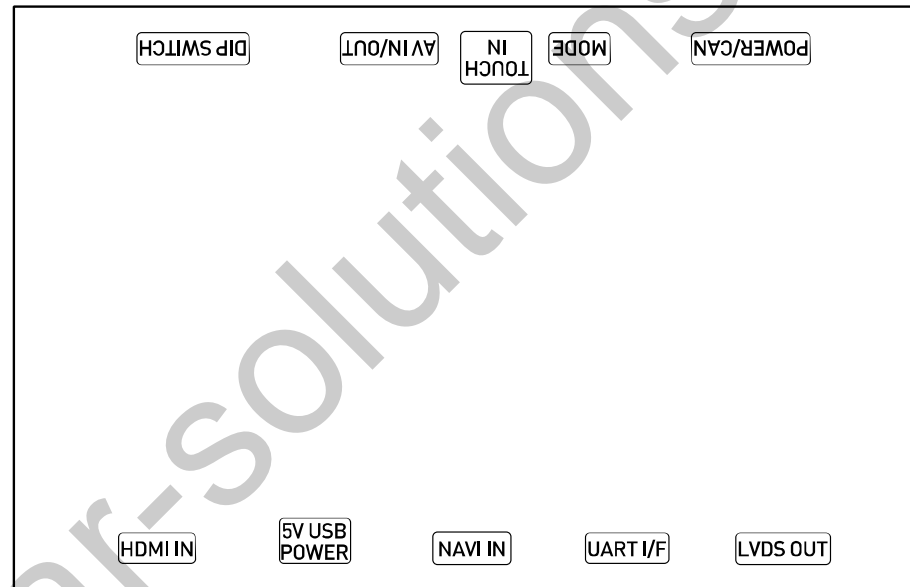


# Instruction Manual

## High-Definition Link for Chevrolet(GM)



Latest Firmware Date	2015 - 06 - 17
Manual Version	Rev. 3.5
Language	English

# Contents

• Cautions	3
• Dimension & Exterior	4
• Components & Optional parts	5
• Optional parts for Navigation types	6
• Full Installation Diagram 「MALIBU」	7
• Full Installation Diagram 「ORLANDO & CRUZE」	8
• Full Installation Diagram 「LACROSSE & CAMARO & VOLT」	9
• HDMI Connection Diagram	10
• Navigation Connection Diagram(TYPE A & B)	11
• Navigation Connection Diagram(TYPE C1 & C2)	12
• Compatibility Chart for Navigation(GPS) box models	13
• LVDS Connection Diagram	14
• 20-Pin IN / OUT connector Connection Diagram	15
• Genuine Rear view camera Connection Diagram	16
• Hazard Module Connection Diagram	17
• Body Connector Specifications	18
• Car Compatibility Chart	19
• Activation by original buttons of MALIBU	20
• Activation by original buttons of ORLANDO & CRUZE	21
• Activation by original buttons of LACROSSE	22
• Activation by original buttons of CAMARO	23
• Activation by original buttons of VOLT	24
• DIP Switch Settings	25
• Settings	
1. Enter into the setting menu	26
2. HDMI mode settings	27
3. NAVI mode settings	27
4. Rear view camera settings	28
5. AV1(Front view camera) settings	28
6. Automatic activation function(AV1)	29
7. AV2 settings	29
8. System settings	30
9. System information	30
10. Information of Dip switch settings	31

# Cautions

## ▪ Device related

- You should check the names and colors of each wires exactly, before you connect the wires.  
ex) CAN HIGH: White wires / CAN LOW: Blue wires
- The 'POWER / CAN Cable' should always be connected last and be disconnected first.
- The 'Mode Switch' is an optional part to change modes forcibly without CAN-BUS. Generally, the CAN-BUS wires are connected for changing modes by original buttons.
- When the reverse gear is not detected by CAN-BUS, the 'REVERSE 12V IN wire' should be spliced with 12V power of reverse light.

## ▪ HDMI device-related

- HDMI mode accepts general-screen resolution of HDMI devices(1080P / 1920\*1080). If screen size of HDMI does not fit on the monitor, should adjust screen size & position in 'settings mode'.
- Generally, '5V 1A Power output(5V USB POWER)' is a standard voltage for charging smartphone. If you need higher voltage than 5V, you should add a separate power supply.

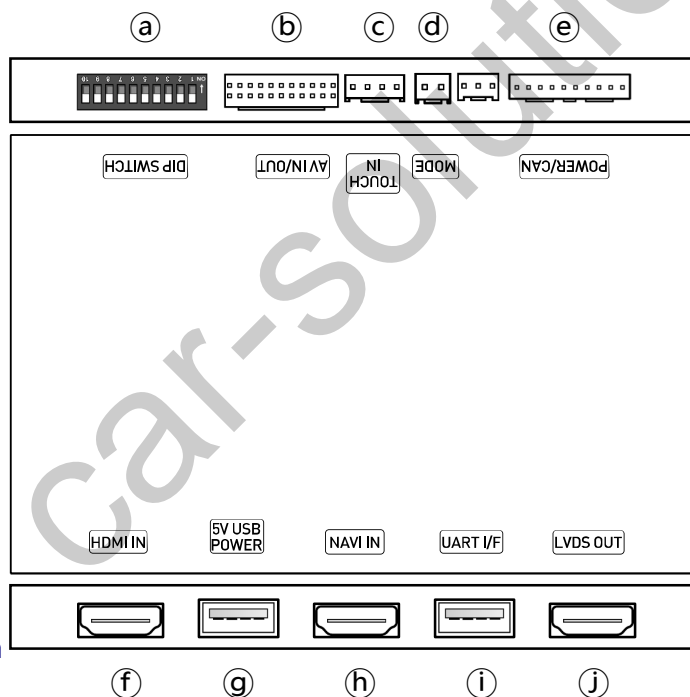
## ▪ Navigation(GPS) box-related

- When you connect the power wires(B+, ACC) to the navigation(GPS) box, the 'NAVI (12V) OUT' wire supported by the device should be spliced with an ACC wire of navigation box
- After installation is done, select an applicable navigation(GPS) box model in the 'Navigation model selection menu' of setting mode.
- The navigation box should be powered off before unplugging the HDMI cable.

## Dimension



## Exterior



- (a) DIP SWITCH
- (b) AV IN / OUT
- (c) TOUCH IN
- (d) MODE
- (e) POWER / CAN
- (f) HDMI IN
- (g) 5V USB POWER
- (h) NAVI IN
- (i) UART I/F
- (j) LVDS OUT

## Components



Power / CAN



GVIF IN Cable



GVIF OUT Cable



GVIF PCB



HDMI Cable  
(For GVIF)



AV IN / OUT Cable



5-pin Micro USB Cable

## Optional Parts (sold separately)



HDMI Cable  
(Male to Male)



HDMI Extender  
(For stick type HDMI device)



Mode Switch

## Optional parts for Navigation types (sold separately)



iNAVI - CUBE(Type A)



MICROCITY - N-Link(Type B)



iNAVI - X1 CUBE(Type B)



MYVI - MS1400 Digital(Type B)



Fine Drive - iQ3D7000(Type C)



HDMI Cable



CUBE LCD Cable



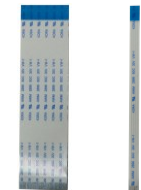
LCD-HDMI Gender



HDMI Cable



Touch Cable(Connector Type)



50-pin & 4-pin FFC Films



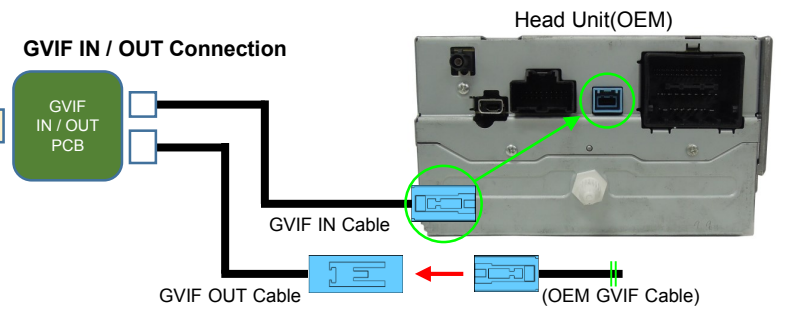
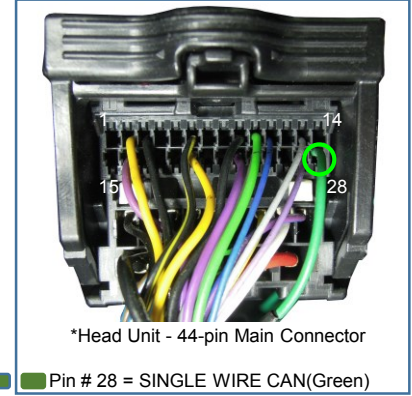
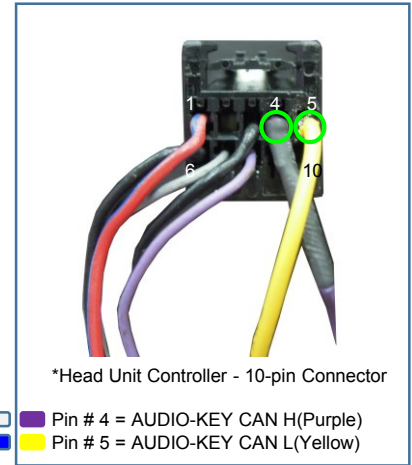
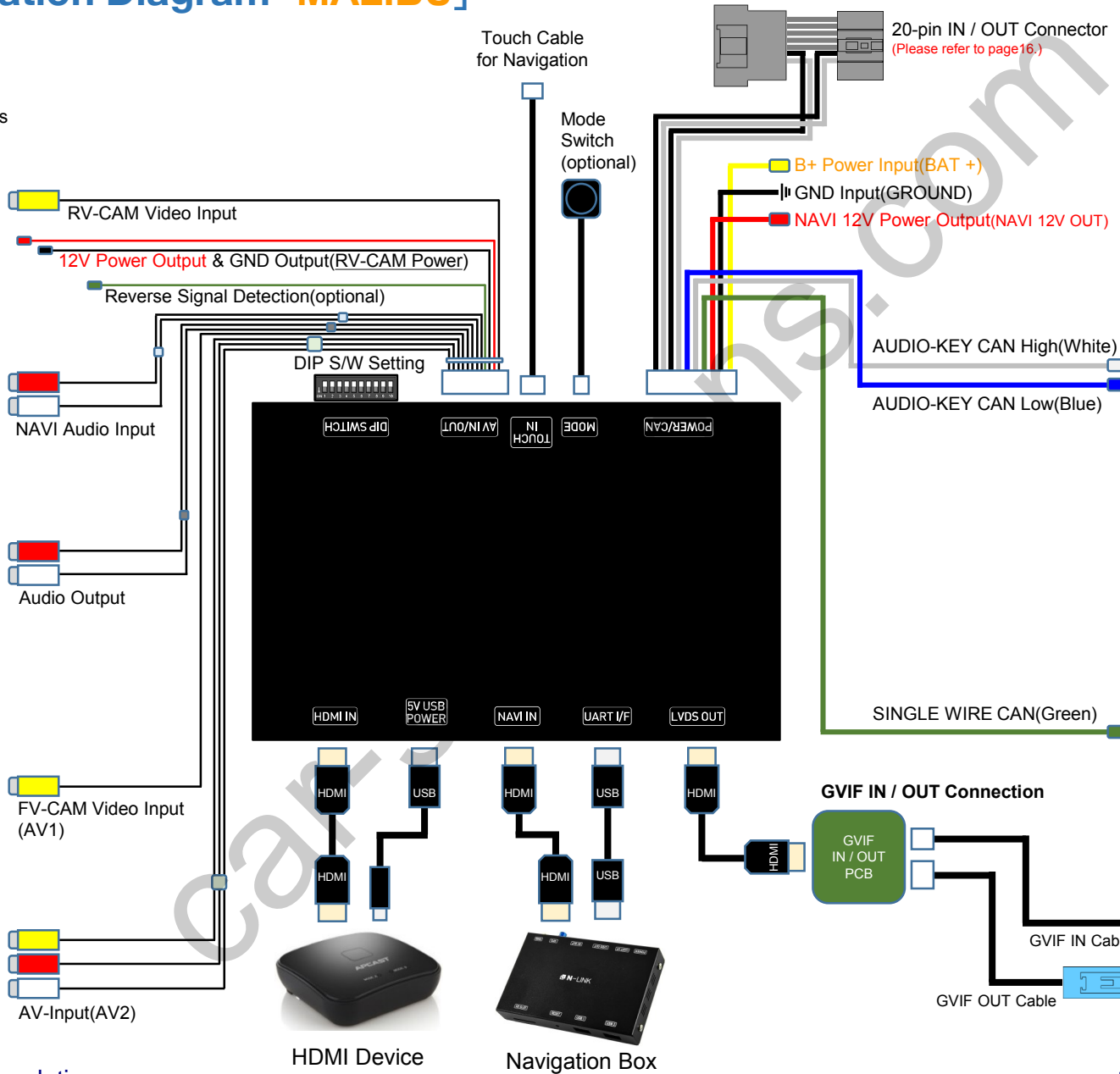
LCD-HDMI Gender

# Full Installation Diagram 「MALIBU」

## ※ Optional External Devices



- External Rear View Camera
- Audio(AUX) Output of Navigation Box
- Auxiliary(AUX) Input of the car
- External Front View Camera
- AV device (ex: DTV Box, Divx)



# Full Installation Diagram 「ORLANDO & CRUZE」

※ Optional External Devices

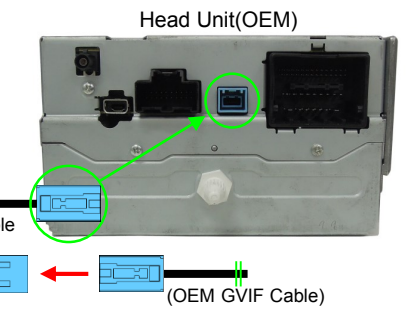
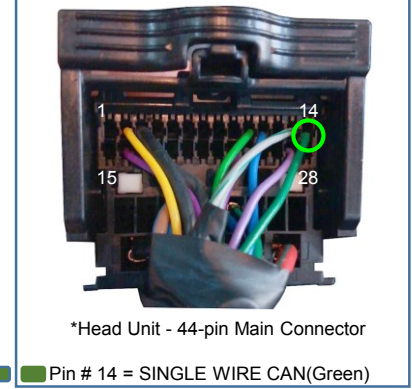
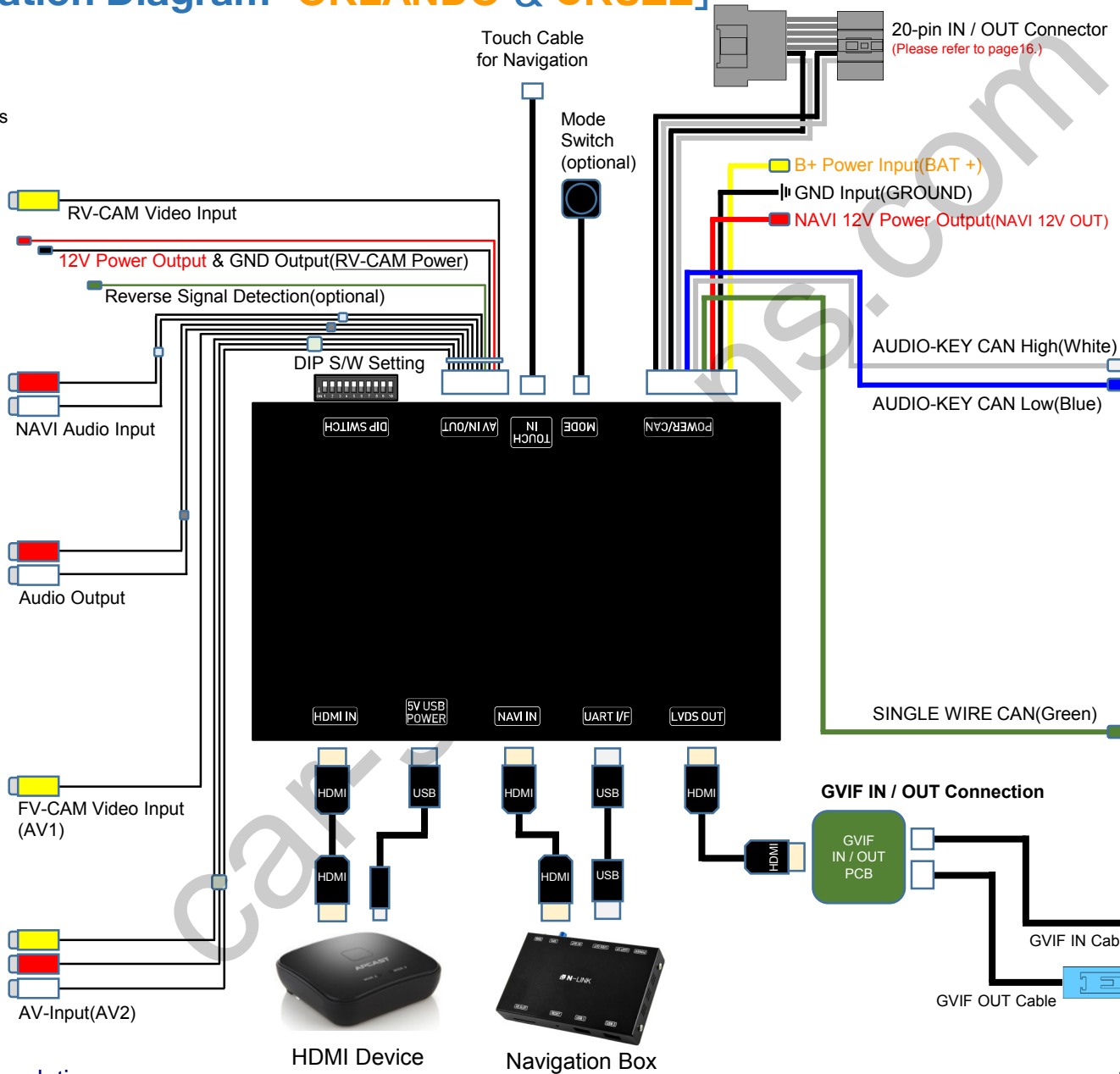
External Rear View Camera

Audio(AUX) Output of Navigation Box

Auxiliary(AUX) Input of the car

External Front View Camera

AV device (ex: DTV Box, Divx)





# Full Installation Diagram 「LACROSSE & CAMARO & VOLT」

※ Optional External Devices

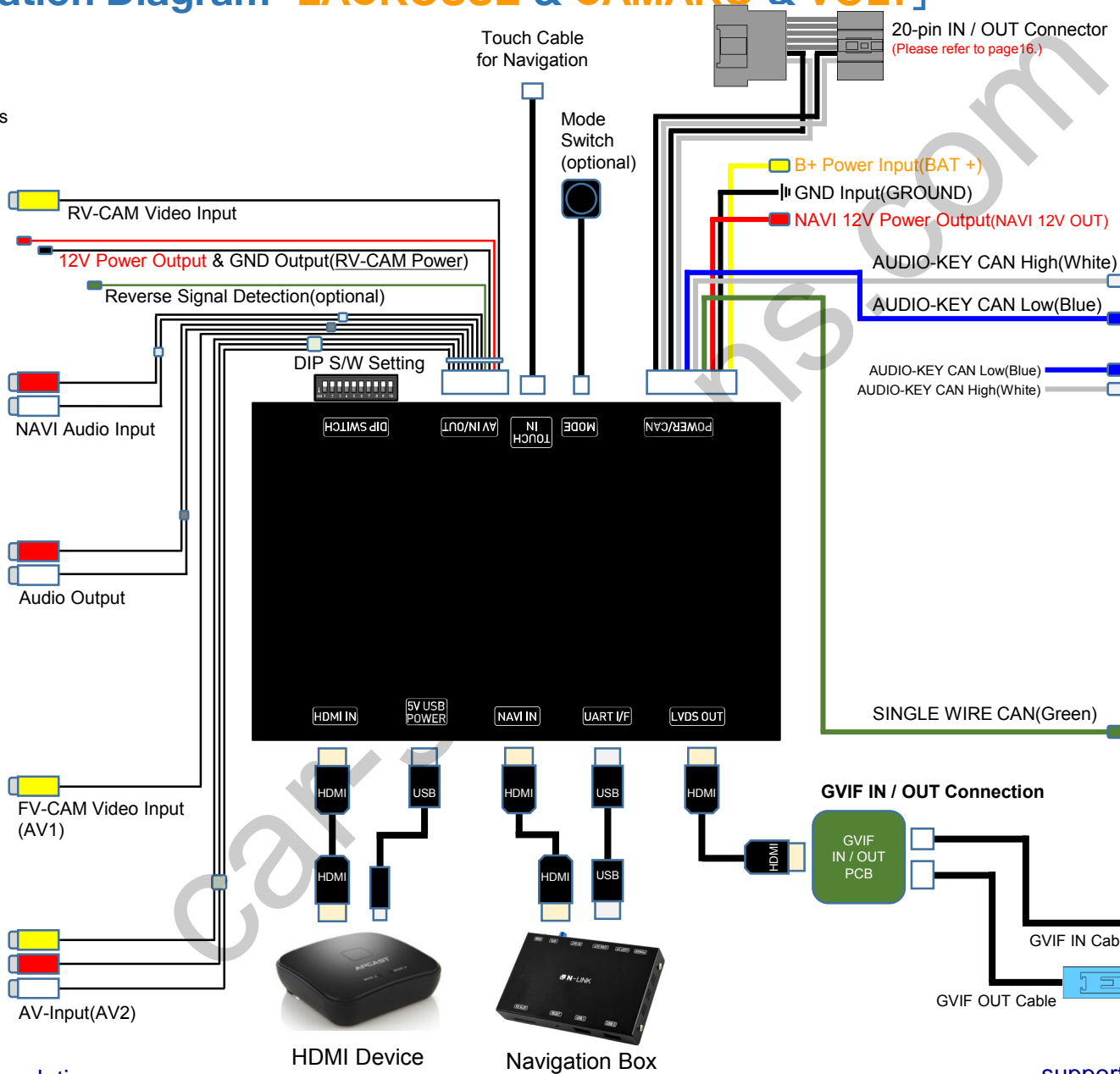
**External Rear View Camera**

**Audio(AUX) Output of Navigation Box**

**Auxiliary(AUX) Input of the car**

**External Front View Camera**

**AV device (ex: DTV Box, Divx)**



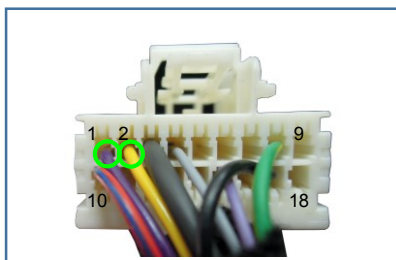
Touch Cable for Navigation  
Mode Switch (optional)

20-pin IN / OUT Connector  
(Please refer to page16.)

B+ Power Input (BAT +)  
GND Input (GROUND)  
NAVI 12V Power Output (NAVI 12V OUT)

AUDIO-KEY CAN High (White)  
AUDIO-KEY CAN Low (Blue)  
AUDIO-KEY CAN Low (Blue)  
AUDIO-KEY CAN High (White)

SINGLE WIRE CAN (Green)



\*Head Unit Controller - 18-pin Connector

- Pin # 1 = AUDIO-KEY CAN H (Purple)
- Pin # 2 = AUDIO-KEY CAN L (Yellow)

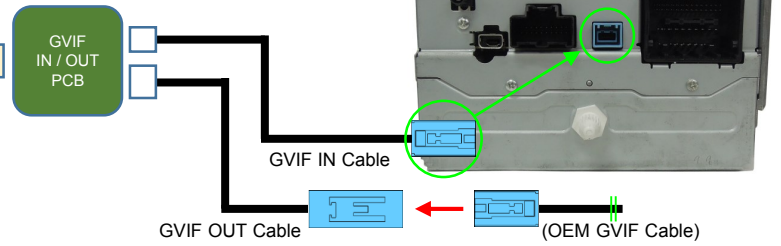
Camaro = (Orange)  
Chevrolet Volt (Reversed pin position)  
Pin # 1 = AUDIO-KEY CAN L (Yellow)  
Pin # 2 = AUDIO-KEY CAN H (Light Blue)



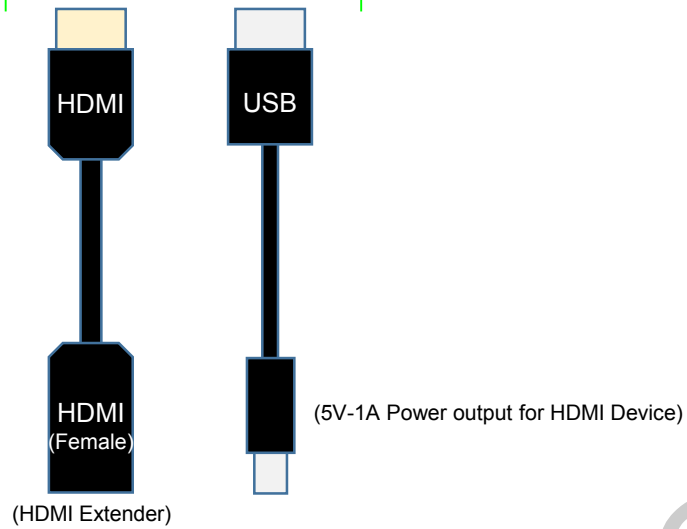
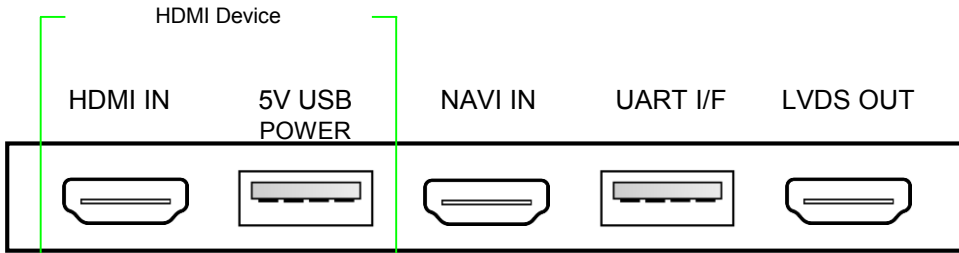
\*Head Unit - 44-pin Main Connector

Pin # 28 = SINGLE WIRE CAN (Green)

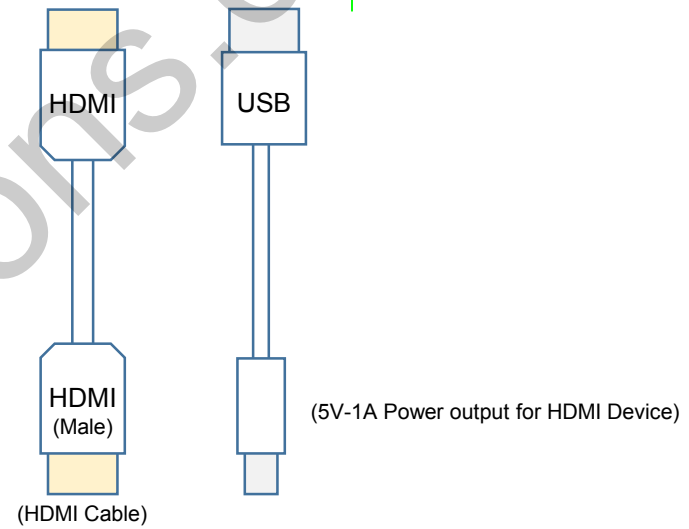
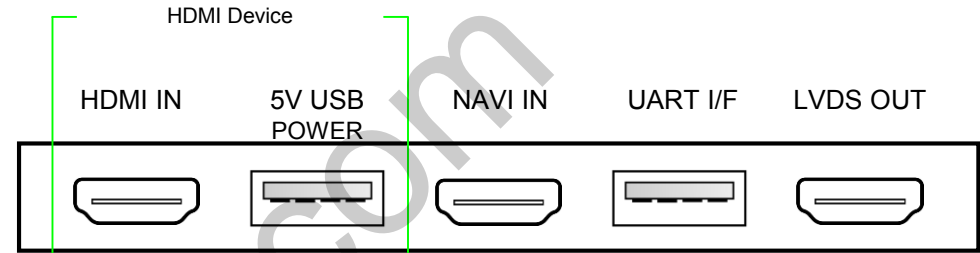
GVIF IN / OUT Connection



# HDMI Connection Diagram



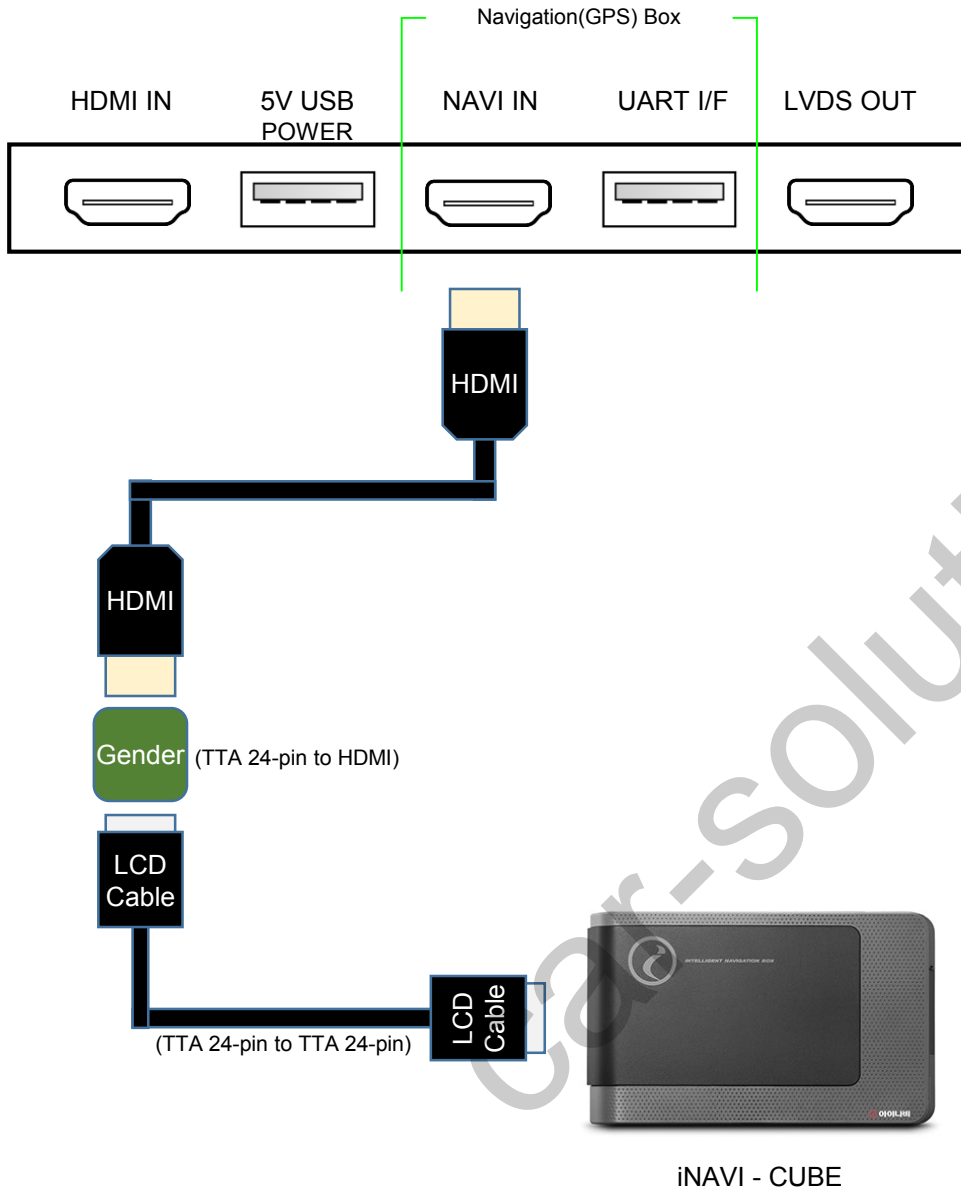
'Stick Type' HDMI Devices



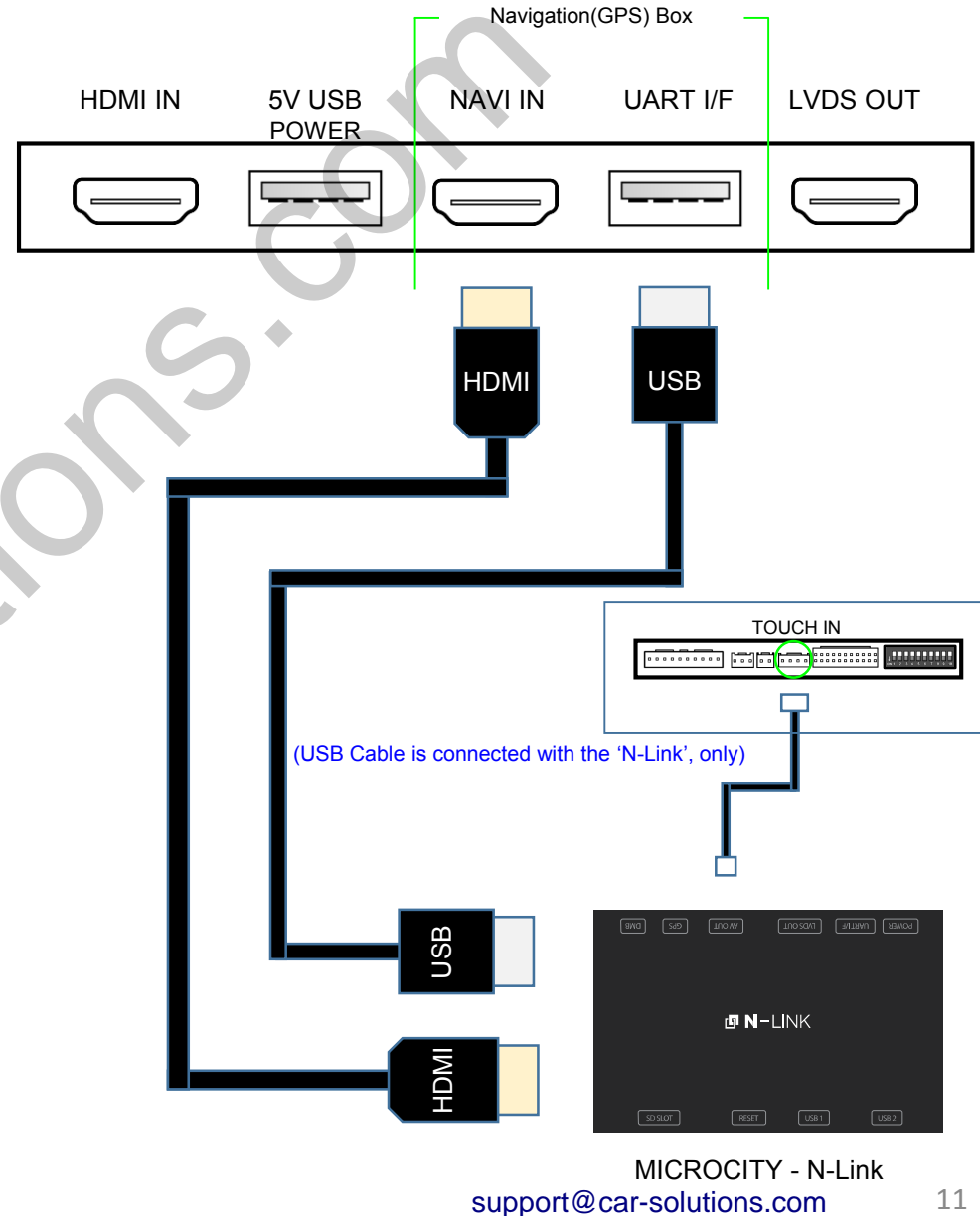
'Dongle & Adapter' Type HDMI Devices



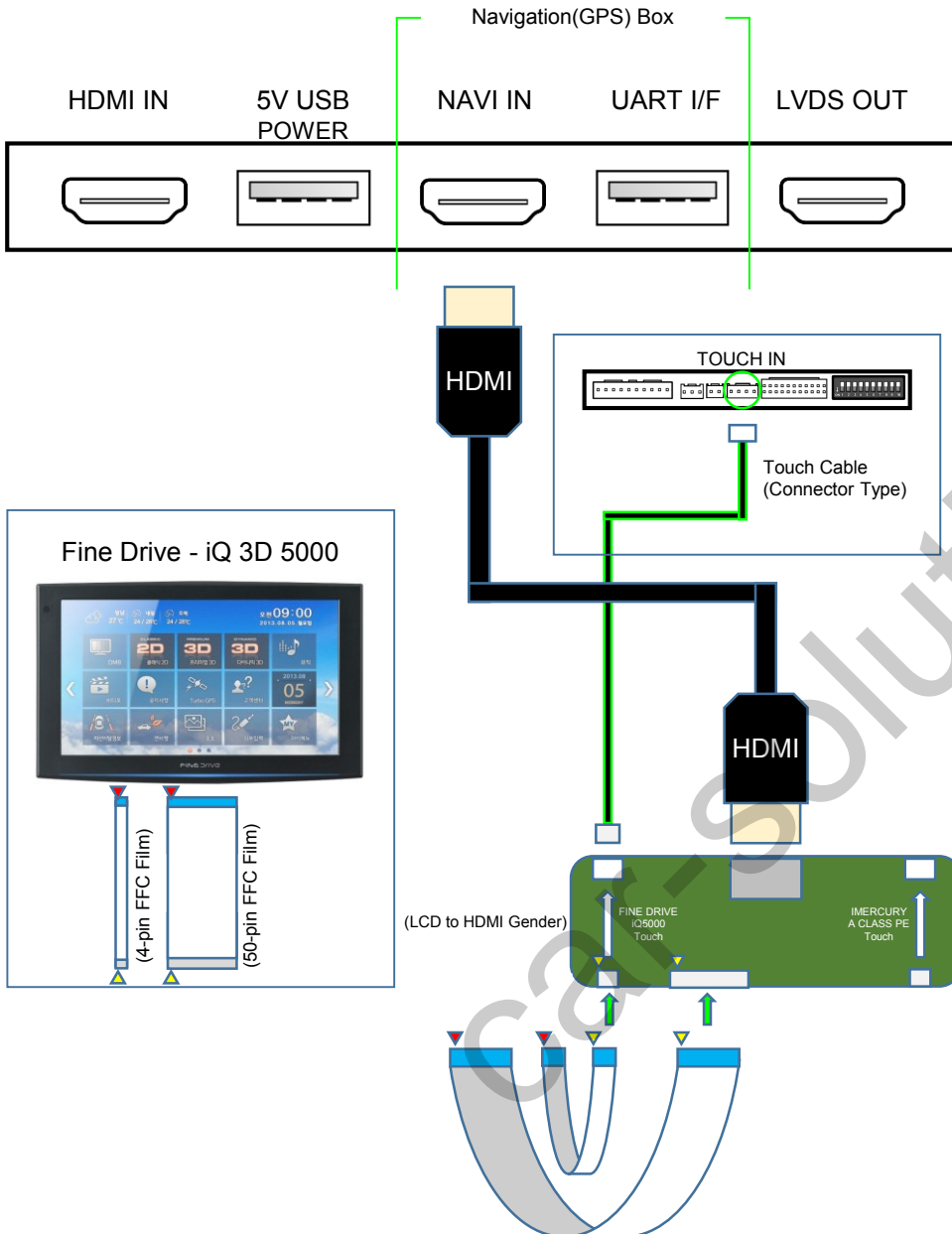
## Navigation Connection Diagram(Type A)



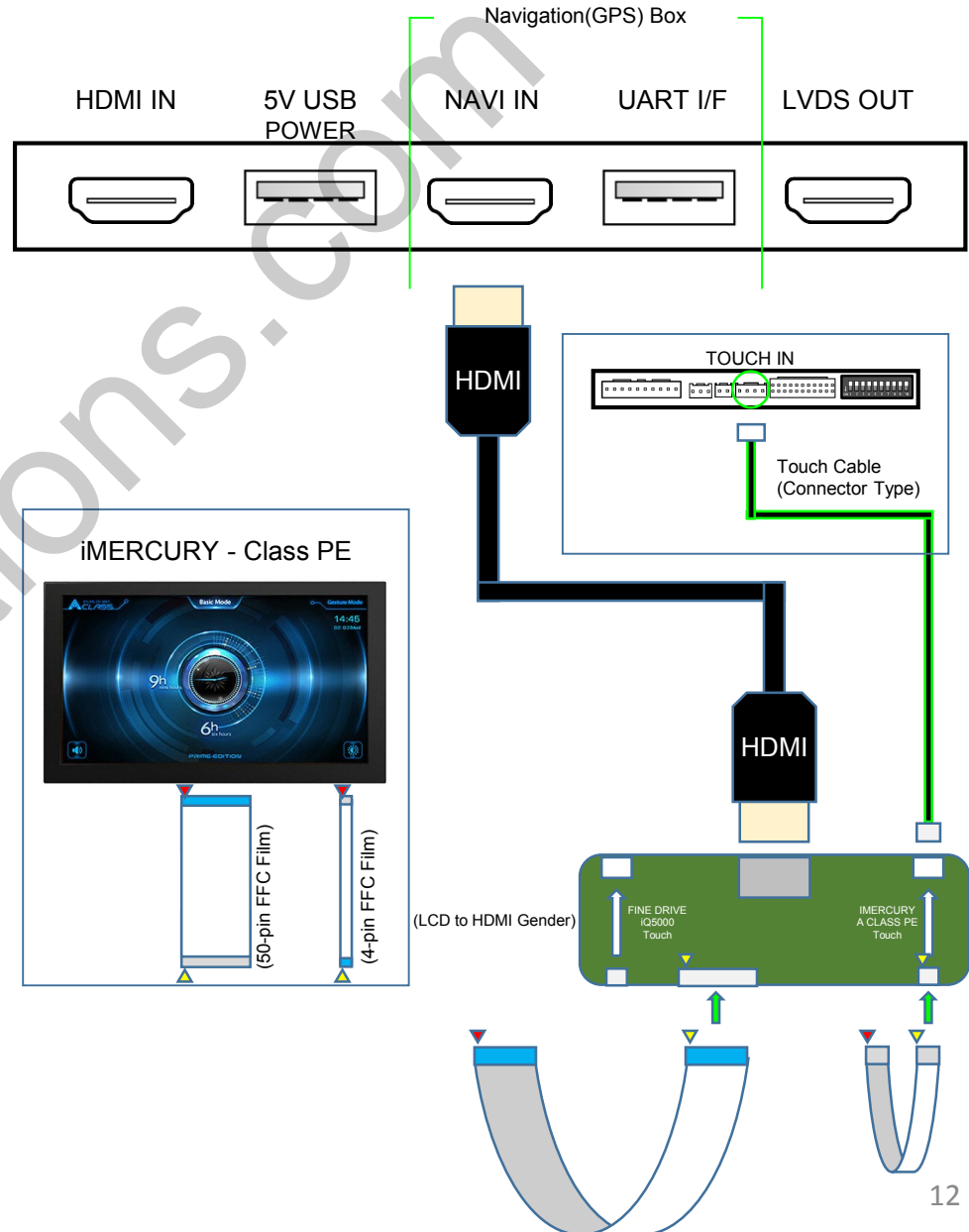
## Navigation Connection Diagram(Type B)
















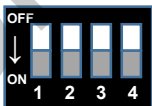






# Navigation Connection Diagram(Type C1)



# Navigation Connection Diagram(Type C2)

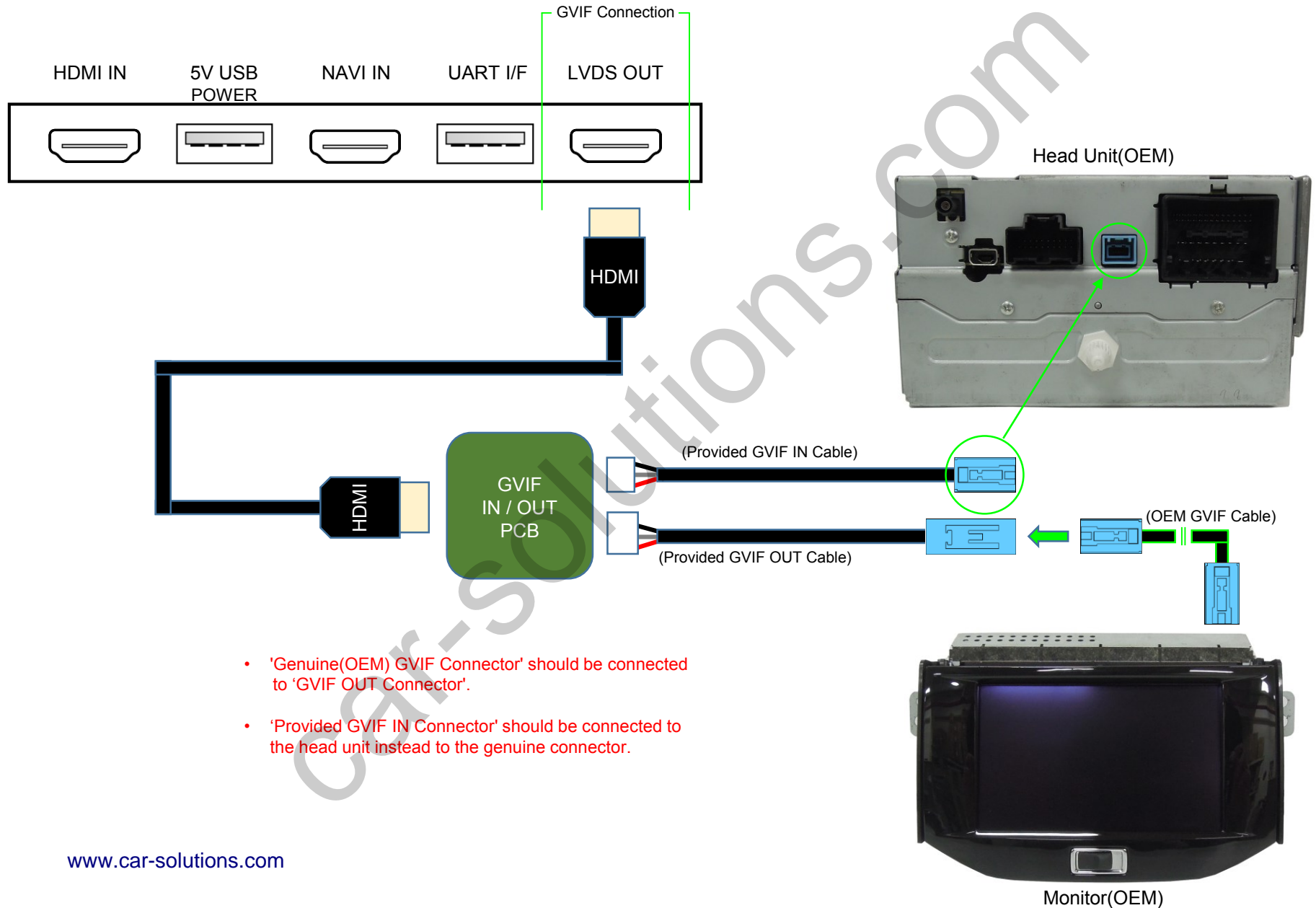


## Compatibility Chart for Navigation(GPS) box models

Model	Country	Dip S/W (Navigation)	Required Parts	Installation Type
	South Korea	 OFF(↓): 1, 2, 3, 4	 CUBE LCD Cable  LCD-HDMI Gender  HDMI Cable	Type A
	South Korea	-	 HDMI Cable  USB A-A Cable  Hazard Module (Refer to Page.17)	Type B
	South Korea	 OFF(↓): 1, 2, 3 ON(↑) : 4	 HDMI Cable	Type B
	South Korea	 OFF(↓): 1, 2, 3, 4	 HDMI Cable	Type B
	South Korea	-	 50-pin & 4-pin FFC Films  Touch Cable (Connector Type)  LCD-HDMI Gender  HDMI Cable	Type C

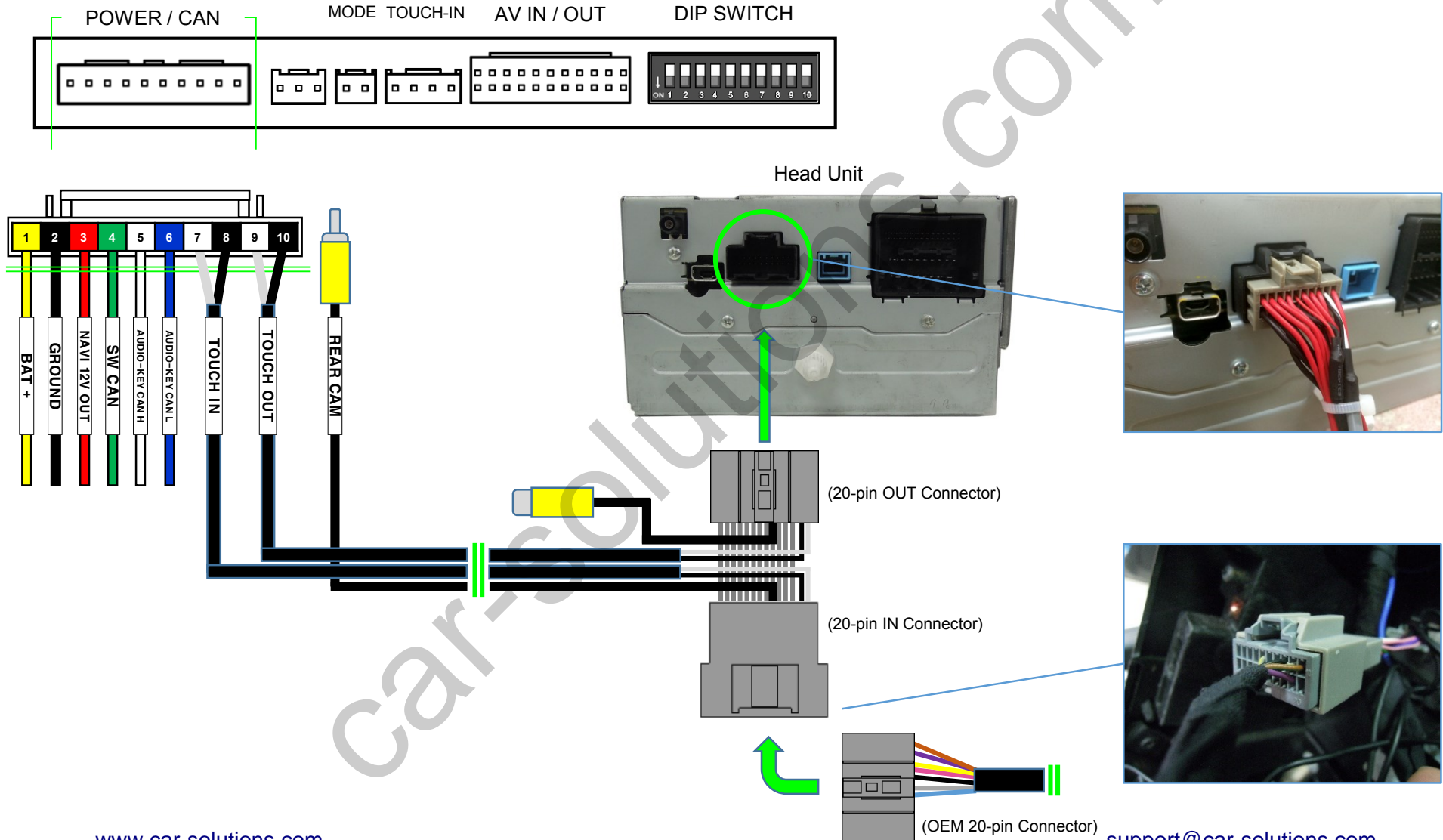
- The device supports navigation(GPS) box models equipped with 'Digital video output'.
- It does not support the 'RGB video signals'.

# GVIF Connection Diagram

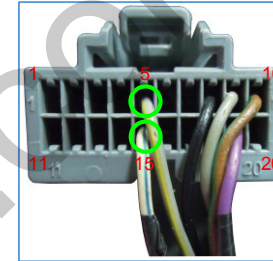
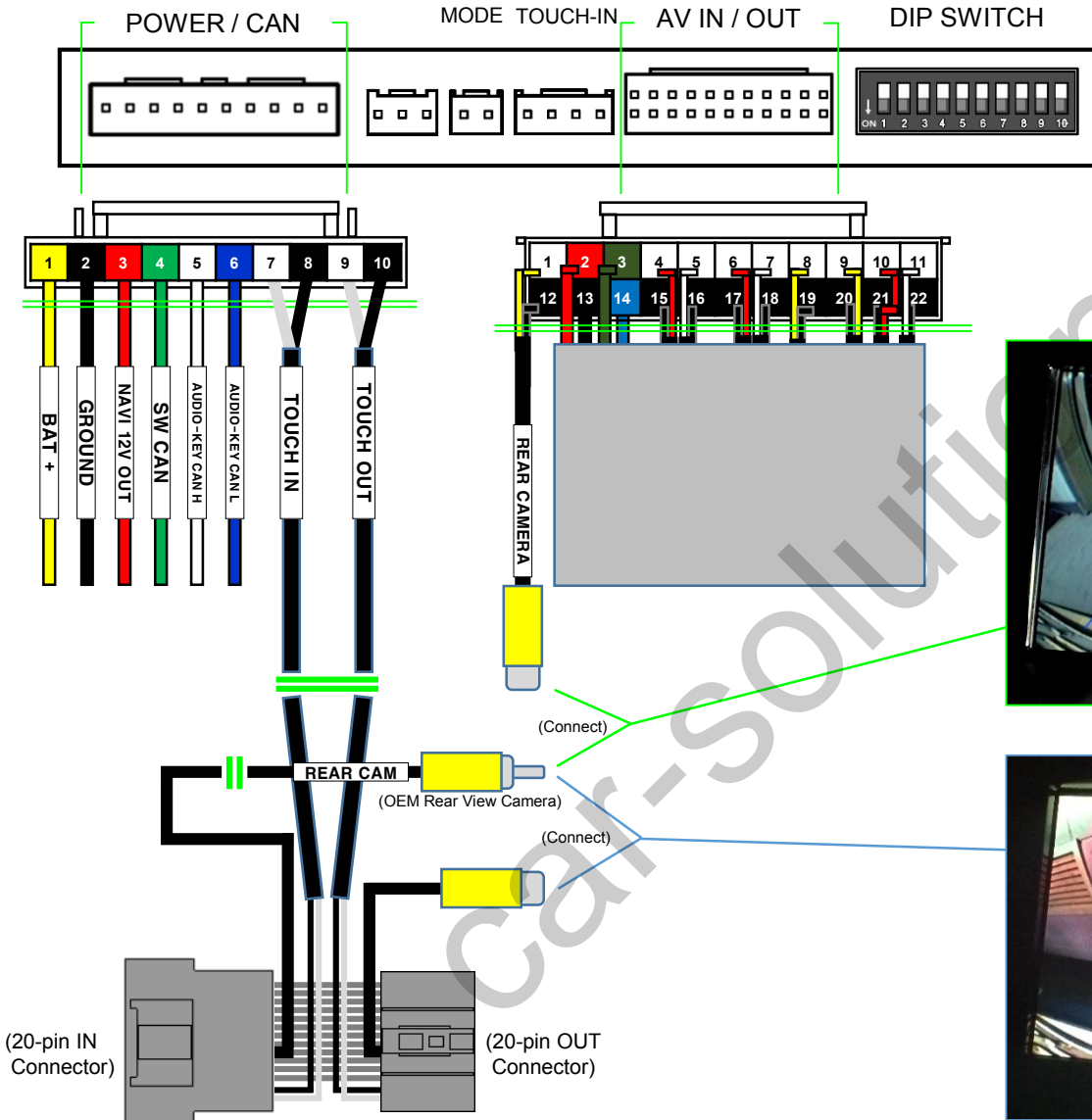


- 'Genuine(OEM) GVIF Connector' should be connected to 'GVIF OUT Connector'.
- 'Provided GVIF IN Connector' should be connected to the head unit instead to the genuine connector.

# 20-pin IN / OUT Connector Connection Diagram

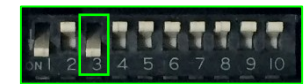
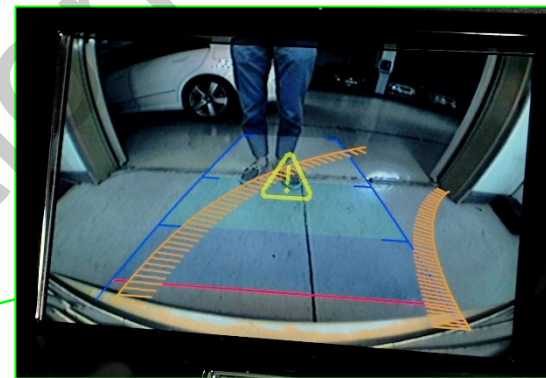


# Genuine Rear view camera Connection Diagram



\*Head unit - 20-pin connector(Gray)

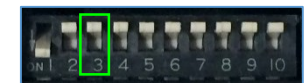
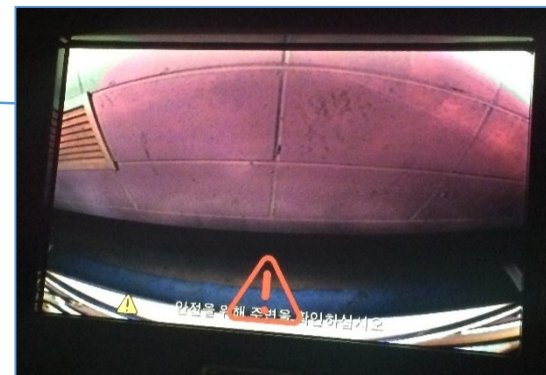
- Pin # 5 = OEM RVC Video+ (Gray/Yellow)
- Pin # 15 = Video GND- (White/Blue)



Use the PGS & PDC functions

Dip Switch No.3 ON(▼)

Connect the 'OEM Rear View Camer(REAR CAM) RCA connector(Male)' with the 'REAR CAMERA RCA connector(Female) of AV Cable'.



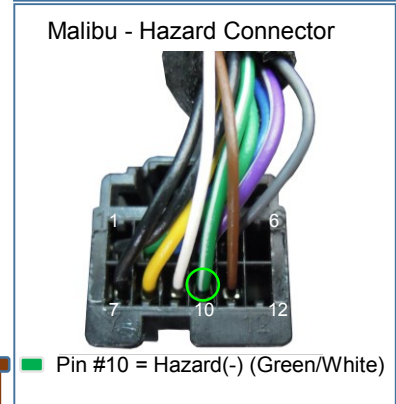
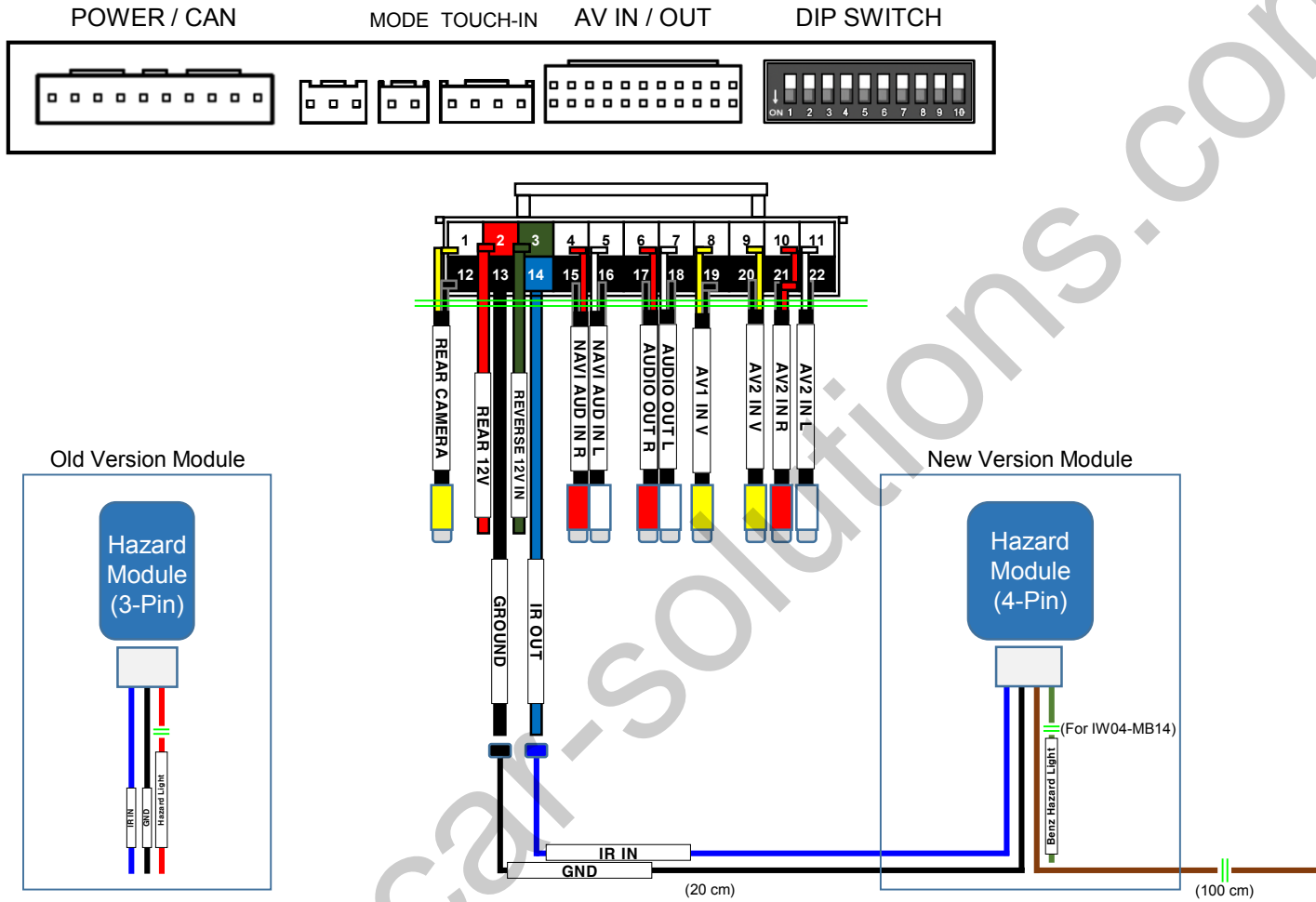
Non-use PGS & PDC functions

Dip Switch No.3 OFF(▲)

Connect the 'OEM Rear View Camer(REAR CAM) RCA connector(Male)' with the 'RCA connector (Female) of 20-pin OUT Connector'.

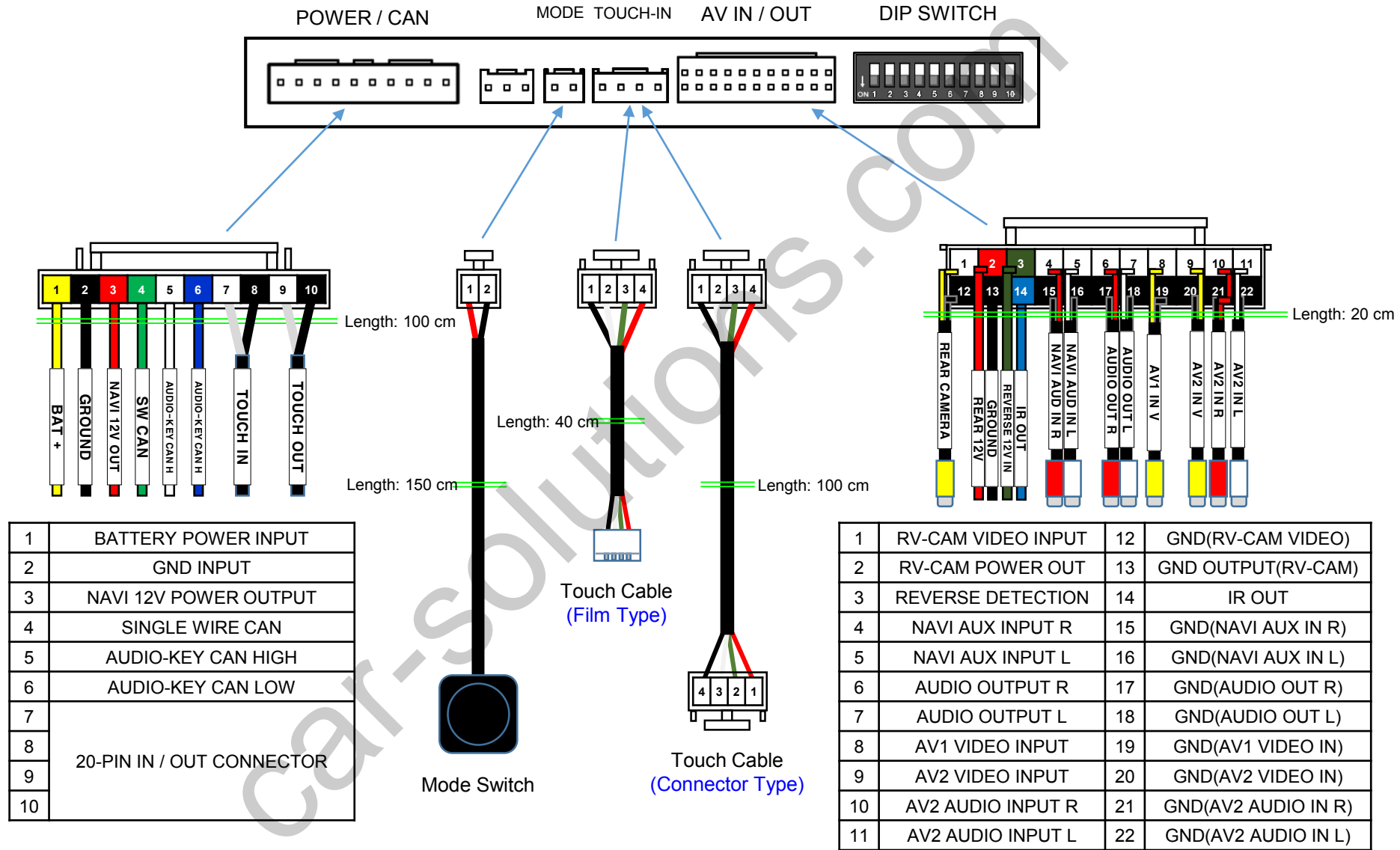


# Hazard Module Connection Diagram



**\*Hazard Module is just available with 'Smart Drive function of N-Link' navigation in South Korea.**  
[www.car-solutions.com](http://www.car-solutions.com) [support@car-solutions.com](mailto:support@car-solutions.com)

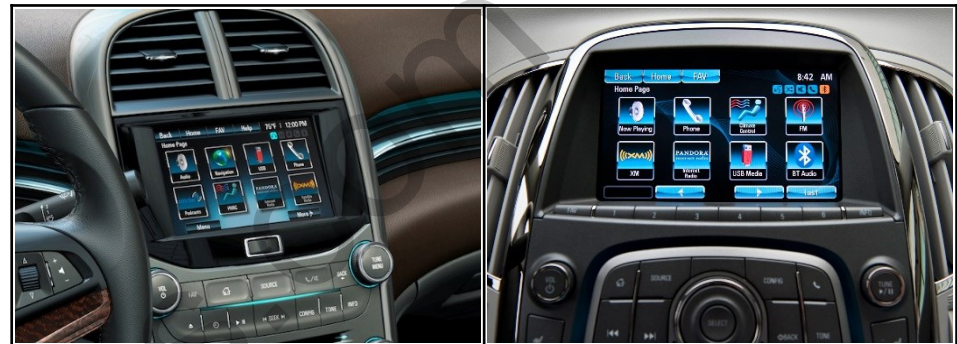
# Body Connector specifications



• [www.car-solutions.com](http://www.car-solutions.com)  
The colors of each wires can be changed under manufacturer's circumstance.

# Car Compatibility Chart

Car Models	Production Year	Specific Models
Malibu (Chevrolet)	2012 -	Equipped with MyLink, New MyLink or OEM NAVI system
Orlando (Chevrolet)	2013 -	Equipped with New MyLink or OEM NAVI system
Lacrosse (Buick)	2010 -	Equipped with IntelliLink(Next Gen Info.) or OEM NAVI system
Camaro (Chevrolet)	2013 -	Equipped with New MyLink or OEM NAVI system
Cruze (Chevrolet)	2013 -	Equipped with OEM NAVI system
Volt (Chevrolet)	2013 -	Equipped with MyLink



The device is used in combination with Chevrolet(GM) INFOTAINMENT system.

- Malibu <New MyLink, OEM NAVI>
- Orlando <New MyLink, OEM NAVI>
- Lacrosse <IntelliLink, OEM NAVI>
- Camaro <New MyLink, OEM NAVI>
- Cruze <OEM NAVI>
- Volt <MyLink>



The device supports the Chevrolet(GM) original screen & Head unit equipped with 'GVIF connector' only.

Please check the specification of original GVIF connector on the sidelines of a production year.

# Activation by original buttons of 「MALIBU」



Head Unit & Climate Controllers

## MALIBU - MyLink, New MyLink

Button	Function	Operation	Remarks
1 HOME	Changing Modes	Press the button 2 seconds long.	Order: HDMI → NAVI → AV1 → AV2 → OEM
1 HOME	Shortcut to Each modes	Press the button 2 times quickly. < OEM → NAVI >	
		Press the button 3 times quickly. < OEM → AV1 >	
		Press the button 4 times quickly. < OEM → AV2 >	
1 HOME	System Locking / Unlocking	Press the button 10 seconds long.	If you visit car service center, you can lock the all functions of the device. It is only possible to use the OEM functions under it is locked.
Buttons marked with yellow	Back to OEM	Press the buttons short.	Return to the OEM mode in any modes.
2 BACK	Changing mode to Front View CAM mode(AV1)	Press the button 2 seconds long.	It changes the screen from any modes to AV1 mode directly.
2 BACK	Reset to factory default setting and power.	Press the button 10 seconds long.	You can use this function when you get in trouble to see the screen while setting the screen.
3 INFO	Enter into the setting menu	Press the button 5 seconds long.	
Buttons marked with blue	Climate interlocking	Press the button 2 short.	Return to the OEM mode for 3 seconds.

**\*[MyLink with OEM Navigation]**

**FAV button / Changing Modes: Press the button short.**

# Activation by original buttons of 「ORLANDO」



Head Unit & Climate Controllers

## ORLANDO - New MyLink

Button	Function	Operation	Remarks
1 HOME	Changing Modes	Press the button 2 seconds long.	Order: HDMI → NAVI → AV1 → AV2 → OEM
1 HOME	Shortcut to Each modes	Press the button 2 times quickly. < OEM → NAVI >	
		Press the button 3 times quickly. < OEM → AV1 >	
		Press the button 4 times quickly. < OEM → AV2 >	
1 HOME	System Locking / Unlocking	Press the button 10 seconds long.	If you visit car service center, you can lock the all functions of the device. It is only possible to use the OEM functions under it is locked.
Buttons marked with yellow	Back to OEM	Press the buttons short.	Return to the OEM mode in any modes.
2 BACK	Changing mode to Front View CAM mode(AV1)	Press the button 2 seconds long.	It changes the screen from any modes to AV1 mode directly.
2 BACK	Reset to factory default setting and power.	Press the button 10 seconds long.	You can use this function when you get in trouble to see the screen while setting the screen.
3 INFO	Enter into the setting menu	Press the button 5 seconds long.	
Buttons marked with blue	Climate interlocking	Press the button 2 short.	Return to the OEM mode for 3 seconds.

**\*[MyLink with OEM Navigation]**

**NAVI button / Changing Modes: Press the button short.**

# Activation by original buttons of 「LACROSSE」



Head Unit & Climate Controllers

## Lacrosse – Intellilink Infotainment

Button	Function	Operation	Remarks
1 HOME	Changing Modes	Press the button 2 seconds long.	Order: HDMI → NAVI → AV1 → AV2 → OEM
1 HOME	Shortcut to Each modes	Press the button 2 times quickly. < OEM → NAVI >	
		Press the button 3 times quickly. < OEM → AV1 >	
		Press the button 4 times quickly. < OEM → AV2 >	
1 HOME	System Locking / Unlocking	Press the button 10 seconds long.	If you visit car service center, you can lock the all functions of the device. It is only possible to use the OEM functions under it is locked.
Buttons marked with yellow	Back to OEM	Press the buttons short.	Return to the OEM mode in any modes.
2 BACK	Changing mode to Front View CAM mode(AV1)	Press the button 2 seconds long.	It changes the screen from any modes to AV1 mode directly.
2 BACK	Reset to factory default setting and power.	Press the button 10 seconds long.	You can use this function when you get in trouble to see the screen while setting the screen.
3 INFO	Enter into the setting menu	Press the button 5 seconds long.	
Buttons marked with blue	Climate interlocking	Press the button 2 short.	Return to the OEM mode for 3 seconds.

**\*[Intellilink with OEM Navigation]**

**NAVI button / Changing Modes: Press the button short.**

# Activation by original buttons of 「CAMARO」



Head Unit & Climate Controllers

## CAMARO - New MyLink

Button	Function	Operation	Remarks
① BACK	Changing Modes	Press the button 2 seconds long.	Order: HDMI → NAVI → AV1 → AV2 → OEM
① BACK	Shortcut to Each modes	Press the button 2 times quickly. < OEM → NAVI >	
		Press the button 3 times quickly. < OEM → AV1 >	
		Press the button 4 times quickly. < OEM → AV2 >	
① BACK	System Locking / Unlocking	Press the button 10 seconds long.	If you visit car service center, you can lock the all functions of the device. It is only possible to use the OEM functions under it is locked.
Buttons marked with yellow	Back to OEM	Press the buttons short.	Return to the OEM mode in any modes.
② TONE	Changing mode to Front View CAM mode(AV1)	Press the button 2 seconds long.	It changes the screen from any modes to AV1 mode directly.
② TONE	Reset to factory default setting and power.	Press the button 10 seconds long.	You can use this function when you get in trouble to see the screen while setting the screen.
③ CONFIG	Enter into the setting menu	Press the button 5 seconds long.	
Buttons marked with blue	Climate interlocking	Press the button 2 short.	Return to the OEM mode for 3 seconds.

### \*[MyLink with OEM Navigation]

- ② **MENU/SELECT button** / Switching to AV1 mode: Press '2 seconds' / Factory Reset: '10 seconds' long.
- ③ **SOURCE button** / Entering into the setting menu: Press the button 5 seconds long.

# Activation by original buttons of 「VOLT」



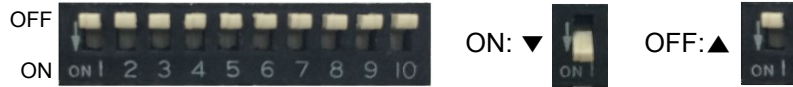
Head Unit & Climate Controllers

## VOLT - MyLink

Button	Function	Operation	Remarks
1 HOME	Changing Modes	Press the button 2 seconds long.	Order: HDMI → NAVI → AV1 → AV2 → OEM
1 HOME	Shortcut to Each modes	Press the button 2 times quickly. < OEM → NAVI >	
		Press the button 3 times quickly. < OEM → AV1 >	
		Press the button 4 times quickly. < OEM → AV2 >	
1 HOME	System Locking / Unlocking	Press the button 10 seconds long.	If you visit car service center, you can lock the all functions of the device. It is only possible to use the OEM functions under it is locked.
2 BACK	Changing mode to Front View CAM mode(AV1)	Press the button 2 seconds long.	It changes the screen from any modes to AV1 mode directly.
2 BACK	Reset to factory default setting and power.	Press the button 10 seconds long.	You can use this function when you get in trouble to see the screen while setting the screen.
3 INFO	Enter into the setting menu	Press the button 5 seconds long.	



# DIP Switch Settings



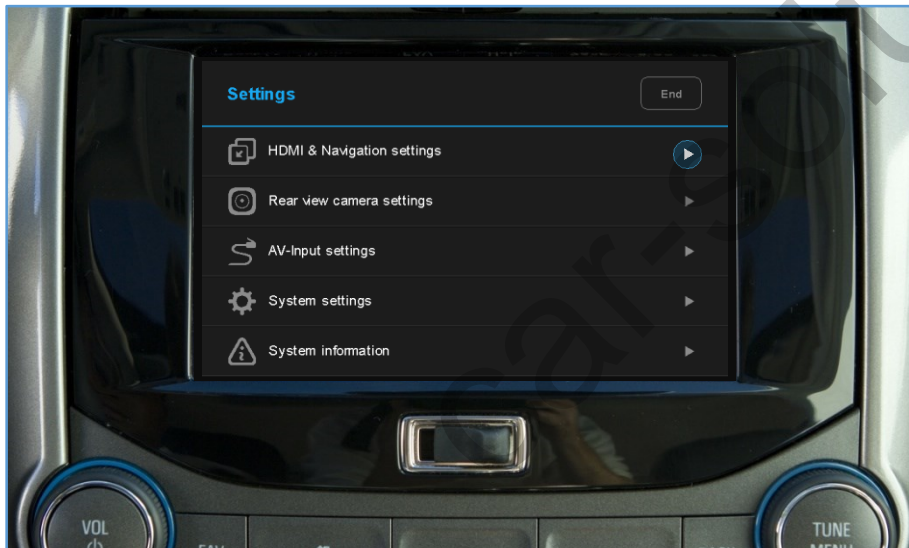
Pin No.	ON(▼)	OFF(▲)
1	HDMI Mode	Skip HDMI Mode
2	Navigation Mode	Skip Navigation Mode
3	External Rear View Camera	Original Rear View Camera
4	External Front View Camera(AV1 Mode)	Skip External Front View Camera(AV1 Mode)
5	AV2 Mode	Skip AV2 Mode
6	Selection of car model	
7		
8		
9		
10		

No.6	No.7	No.8	No.9	No.10	Car Models
OFF(▲)	OFF(▲)	OFF(▲)	OFF(▲)	OFF(▲)	Malibu <MyLink, New MyLink> Volt <MyLink>
OFF(▲)	OFF(▲)	ON(▼)	ON(▼)	OFF(▲)	Malibu <OEM Navigation>
OFF(▲)	OFF(▲)	OFF(▲)	OFF(▲)	ON(▼)	Orlando <New MyLink>
OFF(▲)	OFF(▲)	ON(▼)	OFF(▲)	ON(▼)	Orlando 2015 <New MyLink> *After August 2014
OFF(▲)	OFF(▲)	OFF(▲)	ON(▼)	ON(▼)	Lacrosse <Intellilink>
OFF(▲)	OFF(▲)	OFF(▲)	ON(▼)	OFF(▲)	Lacrosse <OEM Navigation>
OFF(▲)	OFF(▲)	ON(▼)	OFF(▲)	OFF(▲)	Camaro <MyLink, OEM Navi>
OFF(▲)	OFF(▲)	ON(▼)	ON(▼)	ON(▼)	Orlando <OEM Navigation> Cruze <OEM Navigation>

# Settings



Button	Function	Operation
<b>INFO</b> (Head Unit Controller)	Enter into the setting menu	Press the 'INFO' button 5 seconds long.
<b>Touch Screen</b> (OEM Monitor)	All functions of setting menu of the device is controlled by a touch screen of the OEM monitor.	

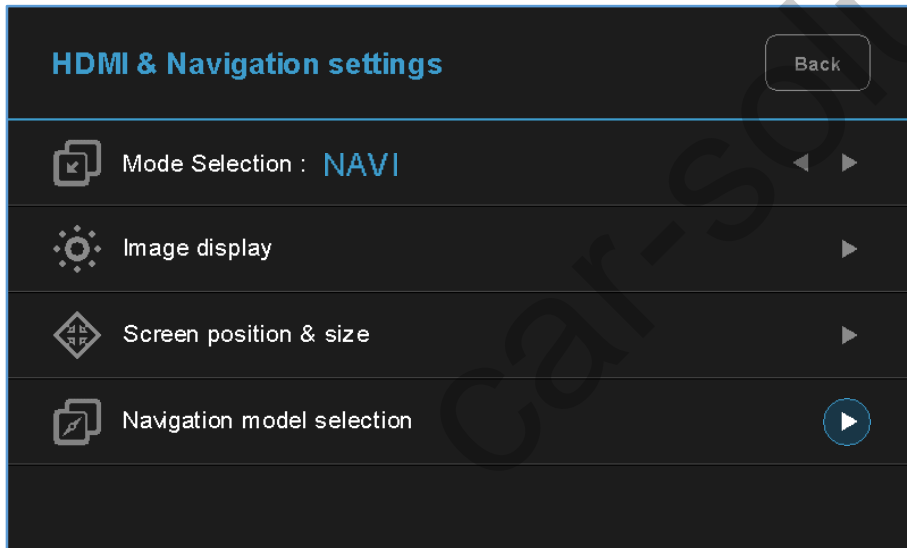
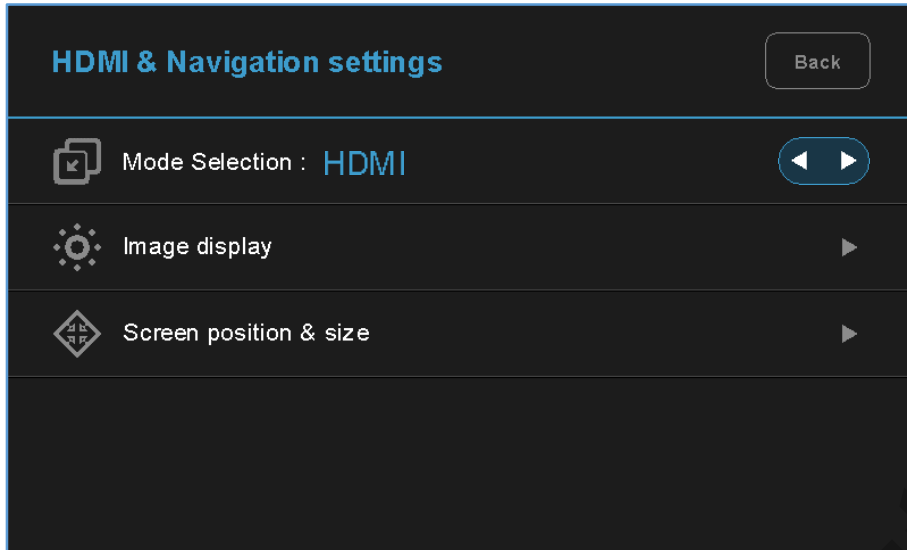


## 1. Enter into the setting menu.

<Press the 'INFO' button 5 seconds long. / Camaro: CONFIG button>

- HDMI & Navigation settings
- Rear view camera settings
- AV-input settings
- System settings
- System information

# Settings



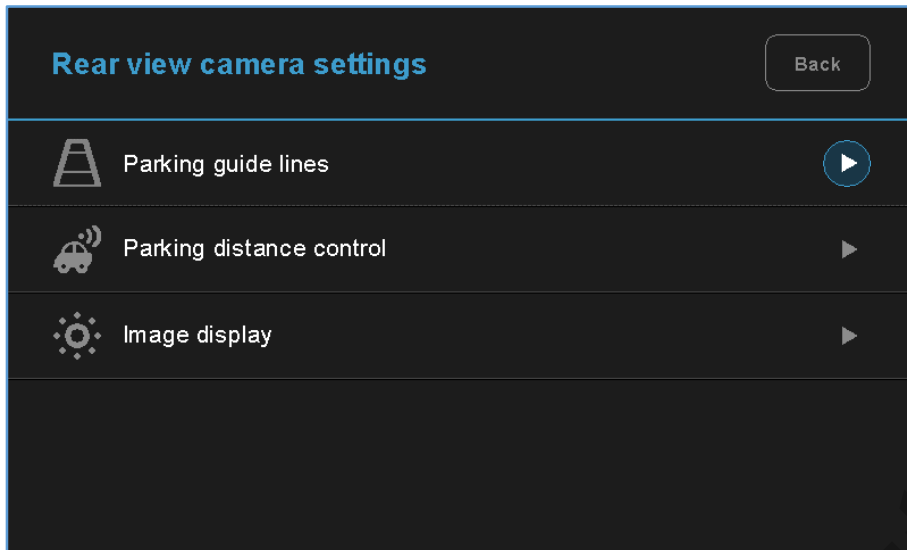
## 2. HDMI mode settings

- Mode selection: HDMI ↔ NAVI
- Image display  
= Adjust the values of brightness and contrast Red-Green-Blue colors of HDMI display.
- Screen position & size  
= Adjust position and size of HDMI display.

## 3. NAVI mode settings

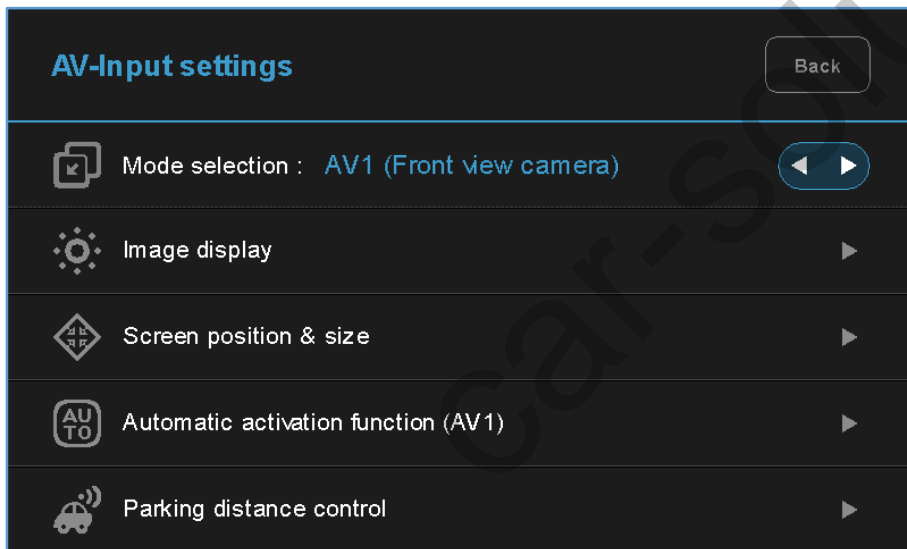
- Mode selection: NAVI ↔ HDMI
- Image display  
= Adjust the values of brightness and contrast Red-Green-Blue colors of NAVI display.
- Screen position & size  
= Adjust position and size of NAVI display.
- Navigation model selection
  - ① Default(N-Link)      ② iNAVI - CUBE      ③ Class settop
  - ④ MYVI - MS1400      ⑤ iQ 3D 7000      ⑥ Class PE

# Settings



## 4. Rear view camera settings

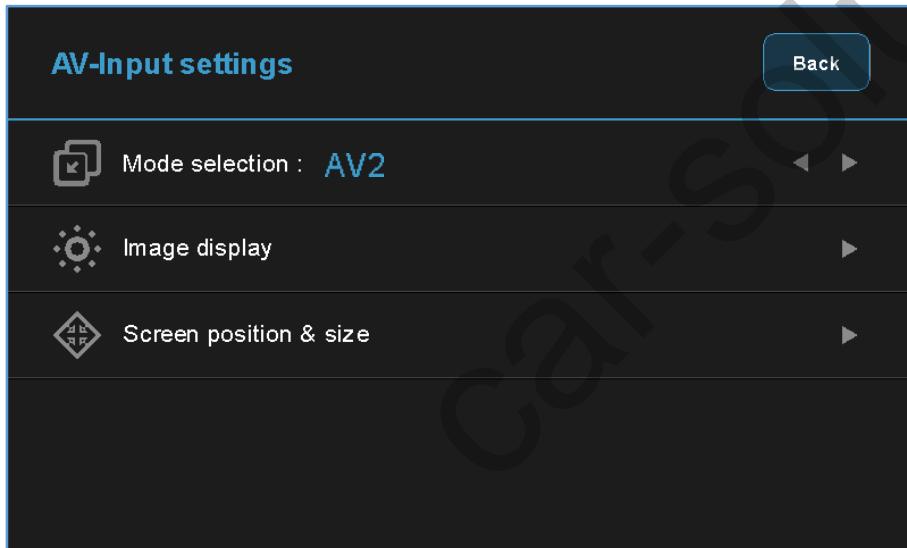
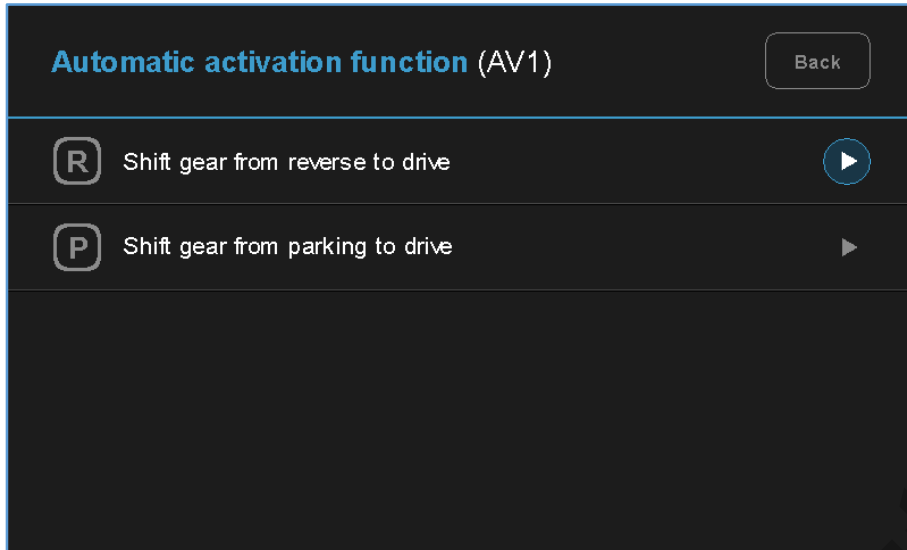
- Parking guide lines  
= Adjust position of parking guide lines and select the lines 'ON or OFF'.
- Parking distance control  
= Select the PDC 'ON or OFF'.
- Image display  
= Adjust the values of brightness and contrast  
Red-Green-Blue colors of Rear view camera display.



## 5. AV1(Front view camera) settings

- Mode selection: AV1(Front view camera) ↔ AV2
- Image display  
= Adjust the values of brightness and contrast  
Red-Green-Blue colors of AV1(Front view camera) display.
- Screen position & size  
= Adjust the position and size of AV1 display.
- Automatic activation function(AV1)  
= \* Please refer to next page.
- Parking distance control  
= Entry Disabled / Not applicable.

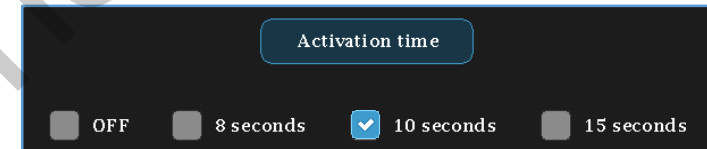
# Settings



## 6. Automatic activation function(AV1)

- Shift gear from reverse to drive
- Shift gear from parking to drive

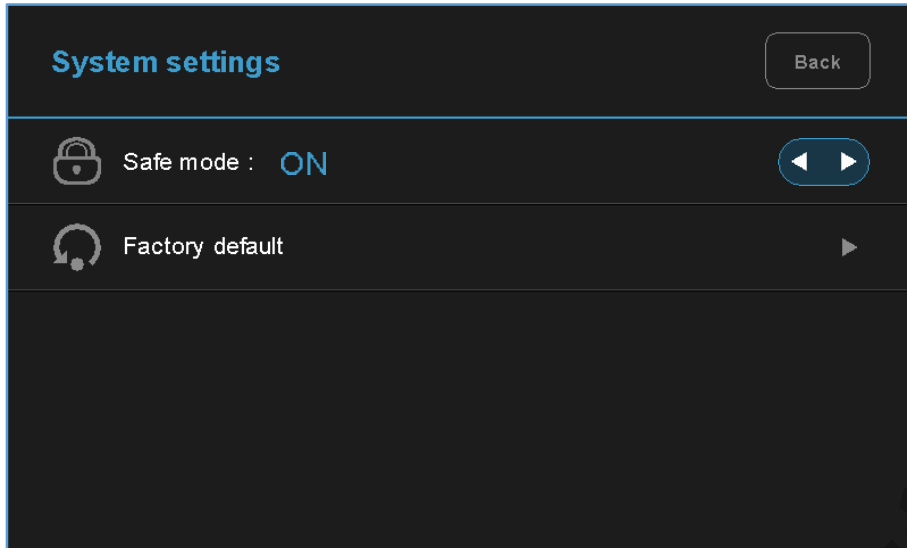
\* When you shift gear 'from reverse to drive' or 'from parking to drive', it just works automatically during the activation time you selected.



## 7. AV2 settings

- Mode selection: AV2 ↔ AV1(Front view camera)
- Image display  
= Adjust the values of brightness and contrast  
Red-Green-Blue colors of AV2 display.
- Screen position & size  
= Adjust the position and size of AV2 display.

# Settings

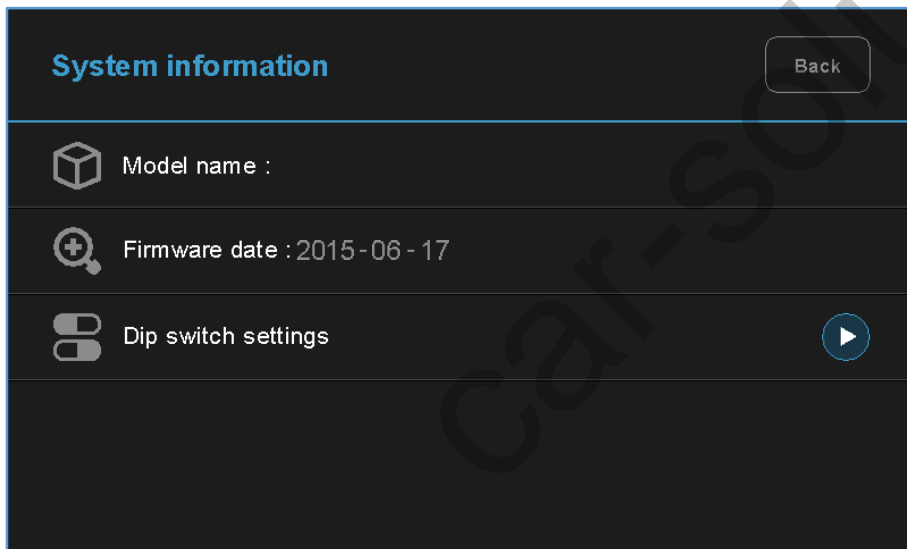


## 8. System settings

- Safe mode  
= Select the one of two between 'ON and OFF'.

\* If you select 'ON', 3 modes(HDMI, NAVI and AV2) will be faded out when the car is driven.

- Factory default  
= Reset all setting values to factory default setting.



## 9. System information

- Mode name:
- Firmware date: 2015 - 06 - 17(Latest firmware date)
  - = You can check the current firmware version date.
- Dip switch settings  
= You can check the current positions of dip switch settings.

# Settings


**System information - Dip switch settings** Back

	ON	OFF			
1	<input type="checkbox"/>	<input type="checkbox"/>	No. 1	HDMI	ON
2	<input type="checkbox"/>	<input type="checkbox"/>	No. 2	Navigation	ON
3	<input type="checkbox"/>	<input type="checkbox"/>	No. 3	External rear view camera	ON
4	<input type="checkbox"/>	<input type="checkbox"/>	No. 4	AV1	ON
5	<input type="checkbox"/>	<input type="checkbox"/>	No. 5	AV2	OFF
6	<input type="checkbox"/>	<input type="checkbox"/>	No. 6	Selection of car model	ON
7	<input type="checkbox"/>	<input type="checkbox"/>	No. 7		OFF
8	<input type="checkbox"/>	<input type="checkbox"/>	No. 8		OFF
9	<input type="checkbox"/>	<input type="checkbox"/>	No. 9		OFF
10	<input type="checkbox"/>	<input type="checkbox"/>	No. 10		ON

## 10. Information of Dip switch settings

\* You can check the current positions of dip switch settings.


ex 1)  
Actual DIP switch values. (→)



Appears on the setting menu. (↓)

No. 1	HDMI	ON
No. 2	Navigation	OFF
No. 3	External rear view camera	ON
No. 4	AV1	ON
No. 5	AV2	OFF
No. 6	Selection of car model	OFF
No. 7		ON
No. 8		OFF
No. 9		ON
No. 10		OFF

ex 2)  
Actual DIP switch values. (→)



Appears on the setting menu. (↓)

No. 1	HDMI	ON
No. 2	Navigation	ON
No. 3	External rear view camera	OFF
No. 4	AV1	ON
No. 5	AV2	OFF
No. 6	Selection of car model	ON
No. 7		OFF
No. 8		OFF
No. 9		OFF
No. 10		OFF