

Gateway 500 Lite D2B Installation Guide

v1.3

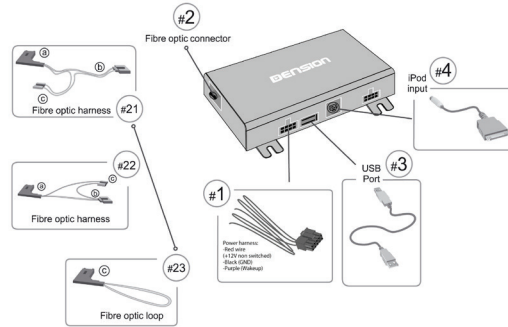


GWL-9211-3

1. INTRODUCTION

Gateway 500 Lite D2B emulates a CD changer and uses CD changer controls to access off board audio sources like iPod and USB devices.

2. CONNECTIONS

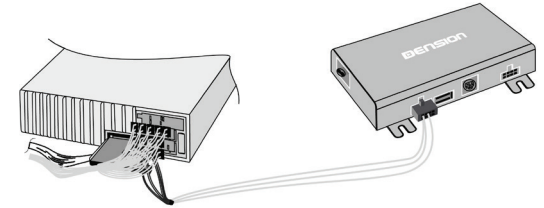


3. INSTALLATION

The best place to install the Gateway 500 Lite D2B maybe somewhere behind the dashboard / head unit. Remove the car's head unit from the dashboard according to car manufacturer instructions. If you do not have a CD changer in your car, please make sure that the head unit can control a CD changer (e.g. products light at optical output socket of the head unit.) If not, please refer to an official Mercedes service, where they can easily reprogram the head unit to enable the optical network for Gateway 500 Lite D2B . If you finished this step or you made sure that the car's D2B network can accept a CD changer or a CD Changer exists in your car please do the following.

4. ELECTRICAL INSTALLATION

(2.) Join the power harness of the Gateway 500 Lite D2B to the radio.

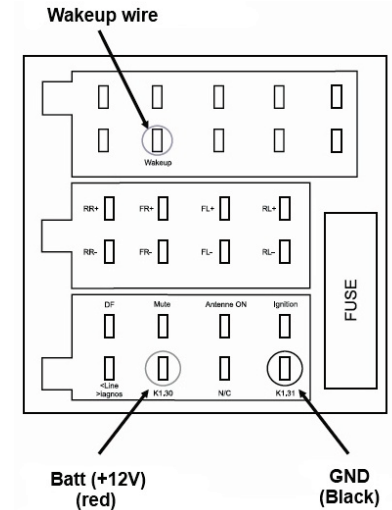


Plug the power cable lead to the Gateway 500 Lite D2B . The allocation of the #1 cable is the following:

- Red:** + 12V battery
- Black:** GND
- Purple:** Wakeup

See the pinout of the Mercedes power harness of different head units.

Audio 10/30

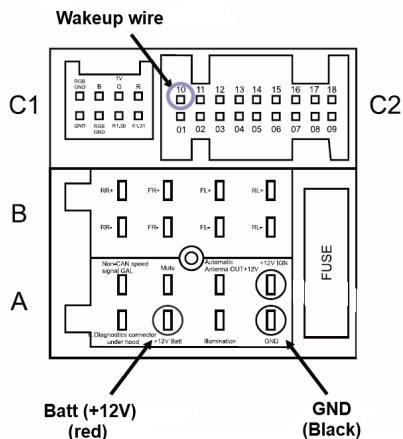


Note:

If the indicated Pin is not populated, make the connection to the blue/black wire or if that wire does not exist, measure the right Pin location using a multimeter. If you have any doubt during the installation, please ask help from professional installer in order to avoid any problem.

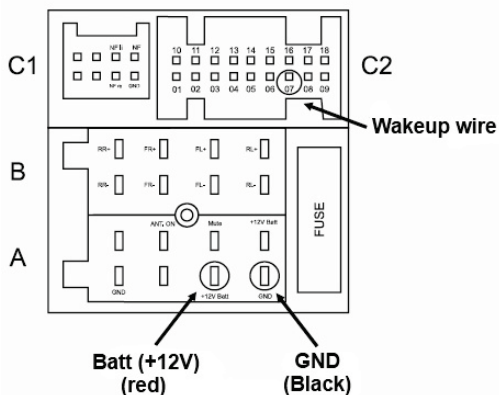
If you have a Comand head unit the socket of the radio is different from the other head units.

Comand 2.0/2.5



The pinout of certain Comand head units can differ from the drawing above. If the GND and +12V pin of your Head Unit can be found in the position as indicated in the following picture, then the wakeup wire should be connected to a different pin.

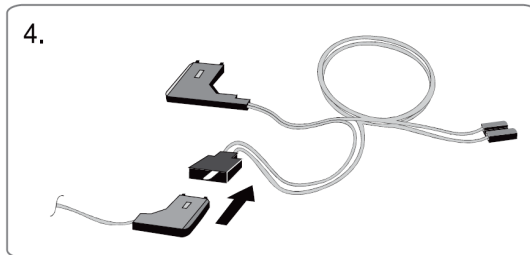
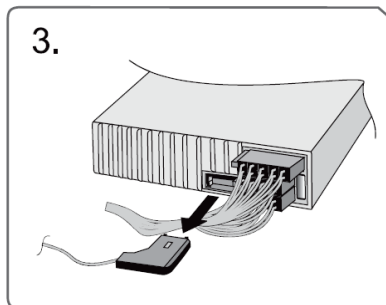
(The basic voltage level of wakeup line is +12V.)



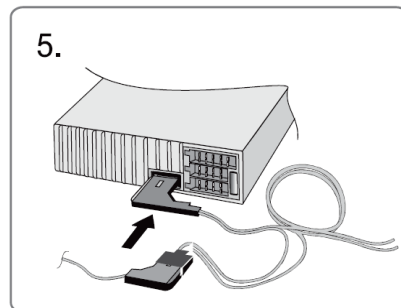
Note:
If the indicated Pin is not populated, make the connection to the blue/black wire or if that wire does not exist, measure the right Pin location using a multimeter. If you have any doubt during the installation, please ask help from professional installer in order to avoid any problem.

5. OPTICAL INSTALLATION

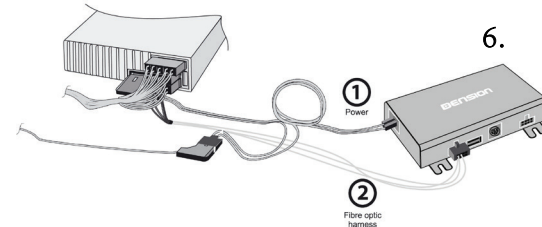
Mercedes cars can have two different layouts of optical network. That is why the D2B optical kit contains two different optical harnesses (labels on them will help). The #22 belongs to the cars with Comand (made by Bosch) head units and #21 to the others.(3. and 4.) Unplug the connector of the optical harness of the Gateway 500 Lite D2B . If there is no factory fitted optical cable connected to the Head Unit, you should connect the given #23 optical loop to the spare female connector of the #22 optical cable.



(5.) Connect the #21/22 A connector to the back of head unit.



(6.) Plug the last flying connector of your optical harness to the Gateway 500 Lite D2B interface, with this step you are connected to the D2B optical ring.



Finally connect each cable according to the numbers in the first picture. Lead away the cables where the devices will be placed. (e.g. the glove compartment or the center console).

6. TEST AND REFIT

Before you refit the head unit, test the Gateway 500 Lite D2B with your car audio, making sure all connections are correct and that you have full functionality.

Note:

If during testing you notice any changes or inconsistencies in the way the car's electrical system operates, disconnect the Gateway product immediately and consult your dealer.

Take care not to trap any wires and cables or the Dension product. Refit is the reversal of the removal process for your specific vehicle, as per your manufacturer's instructions.

All photos / illustrations are for representation purposes only and may differ visually from the equipment in your vehicle. Information correct at time of going to print E. & O. E. Dension Audio Systems Ltd. and its registered partners cannot be held liable for any damages caused by the incorrect installation of any Dension product.

If you need further assistance in using your Dension product, please contact your local supplier or visit www.dension.com/support and open support ticket.