

Last updated : 2012.09.12

MODEL : QVI-LVIX-1CH-V7 / Product code : LVIX-1CH-1201-003

MASERATI

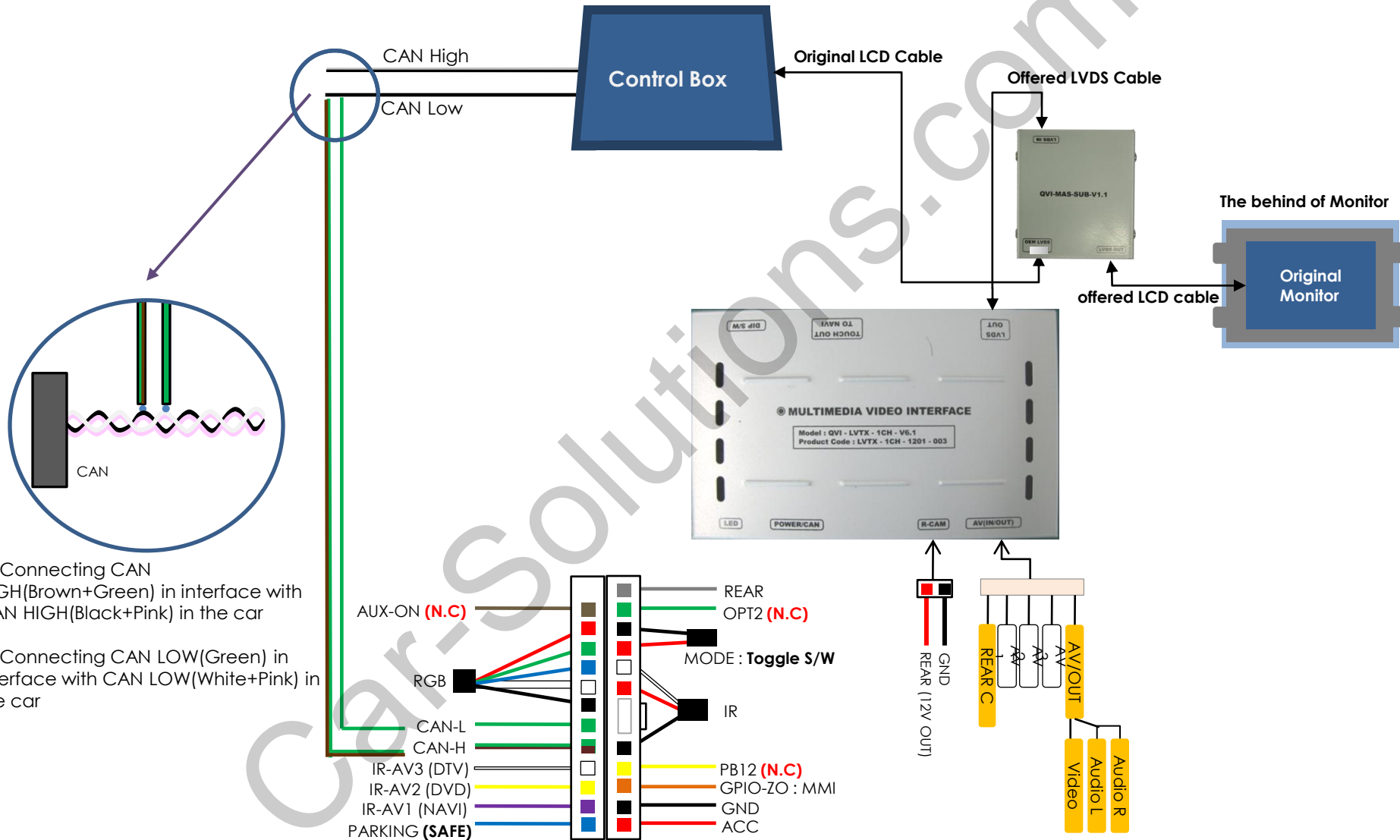
Installation

Contents

1. Installation

| | |
|----------------------------|---|
| 1 Installation diagram | 3 |
| 2 Cautions on installation | 4 |
| 3 Installation | 5 |

1 Installation diagram



※ Connecting CAN HIGH (Brown+Green) in interface with CAN HIGH (Black+Pink) in the car

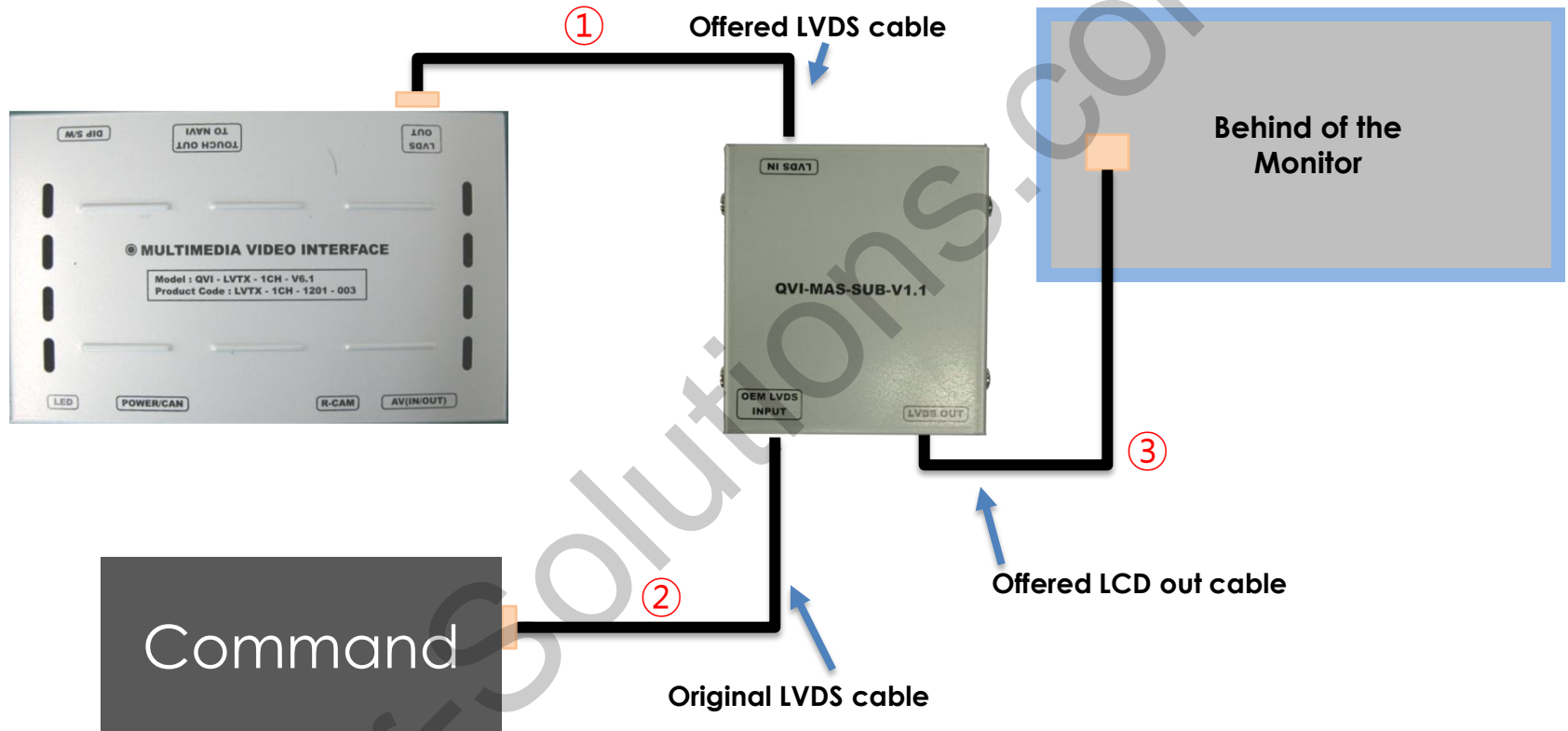
※ Connecting CAN LOW (Green) in interface with CAN LOW (White+Pink) in the car

2 Cautions on installation

- Ignition key should be taken off before starting installation, interface power connection must be the last step in installation.
- Power cable should be separated when connecting interface.
- Should be no any electronic devices or magnetic pole around installation place.
- All steps of installation should be done by well-trained specialist.
- Dismantling without manufacturer's permission can not be guaranteed, (No permission to break attached label on the board.)
- Kindly check all parts are in the box, when receiving the product, if anything missing, inform to the supplier or manufacturer.
- According to our sales policy, any problems caused by user's mistake, careless can not be guaranteed.

3 Installation

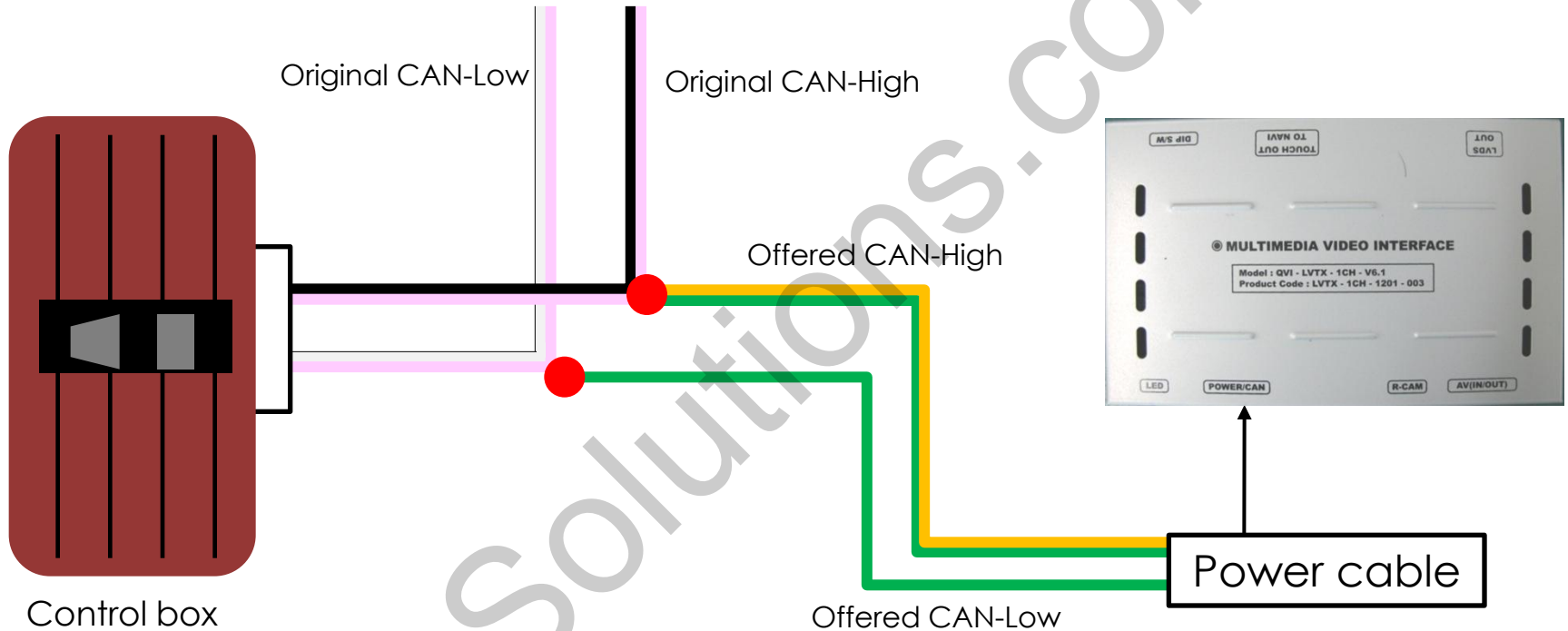
Connecting with monitor



1. Connect offered LVDS cable into "LVDS IN" in Sub-board and "LVDS OUT" in interface
2. After Separating original LVDS cable from the monitor, connect into OEM LVDS INPUT" in sub board
3. Offered LCD OUT cable connect to the behind of monitor and "LVDS OUT" in sub board

3 Installation

Connecting with CAN wire



1. Connecting CAN HIGH(Brown+Green) in interface with CAN HIGH(Black+Pink) in the car
2. Connecting CAN LOW(Green) in interface with CAN LOW(White+Pink) in the car