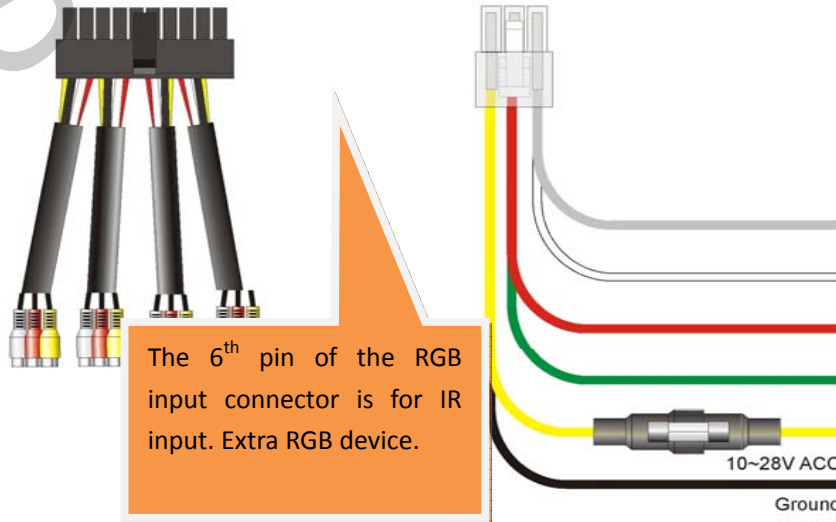


# Touareg interface manual—V2

## 1. connections

Color tuning:  
 The three keys:  
 When the first key is hold-down:  
 The 2/3 keys +/- Contrast.  
 When the first key is not hold-down:  
 The 2/3 keys +/- Brightness.

The key pad: one extra way for switching the input.



The 6<sup>th</sup> pin of the RGB input connector is for IR input. Extra RGB device.

**Yellow (1Pin):** ACC+12V power.  
**Black (Pin4):** Ground.  
**GREEN (Pin5):** when connected to+12V, the input is forced to AV4. [Internal relay already]  
**White (Pin6):** >2V for input switch[max25V]  
**Others:** No functions.

support@car-solutions.com

## 2. Notes

## (1) DIP switch settings:

**DIP1:** RGB input enable/disable**DIP 2/3/4:** AV1 / AV2 / AV3 /AV4 input enable/disable**DIP5:** Original Camera AV4 on/off**Dip 6/7/:** No function, please do not use.**DIP8:** **Must be set to OFF.**

## (2) RGB plug

If the car Does NOT have original cameras, please insert the 18Pin connector into the rear socket of touareg.

If the Car has original cameras, please insert the 18P connector into the socket, and the dual-9PIN plug into the original plug[so the original RGB signal is going through the interface].make sure the white point is pointing to PIN1.

## (3) Input channel switch

- Method 1: the user may use the extra red key pad for channel switching.
- Method 2: when the white white wire of the 6PIN power connector is connected to a poin >2V, the input switches. The installer can find such a point on the head unit. Just cut such a key off and make it connected to the white wire.
- Method 4: The 6pin of the RGB input cable is IR signal[Printed "talk-over" on the shell], the user may use the "Source" key on the Alpine DVD or navigation unit.

