

Release date : 2012.01.17

Model : QVI-BM12-Main-V1.0 IF / Product code : QVI-BM12-1112-002

Car Video Interface
for BMW 1 Series (F20) / 3 Series (F30) 2012-

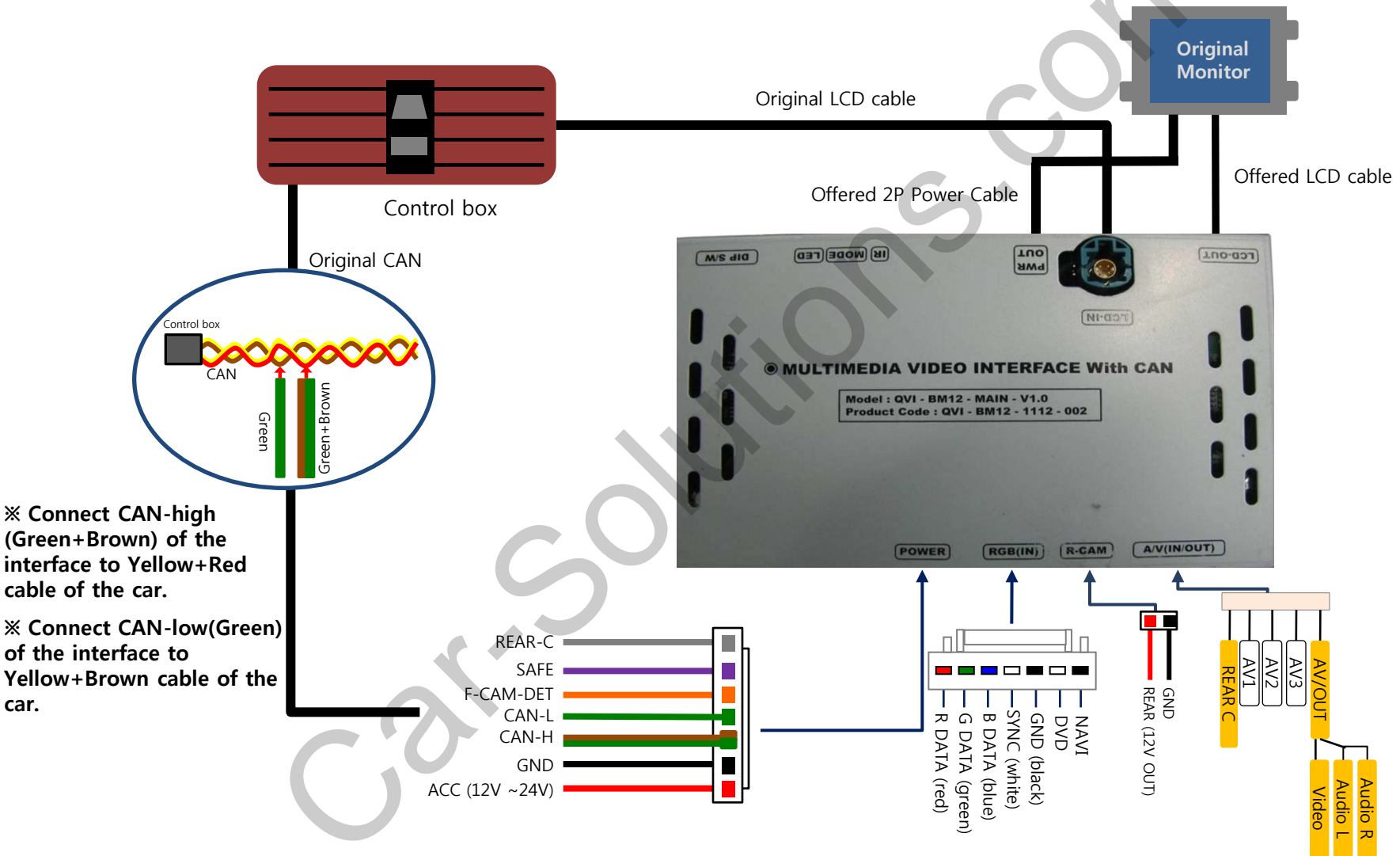
Installation manual

Contents

1 Installation diagram	3
2 Cautions on installation	4
3 Installation	5

Car-Solutions.com

1 Installation diagram

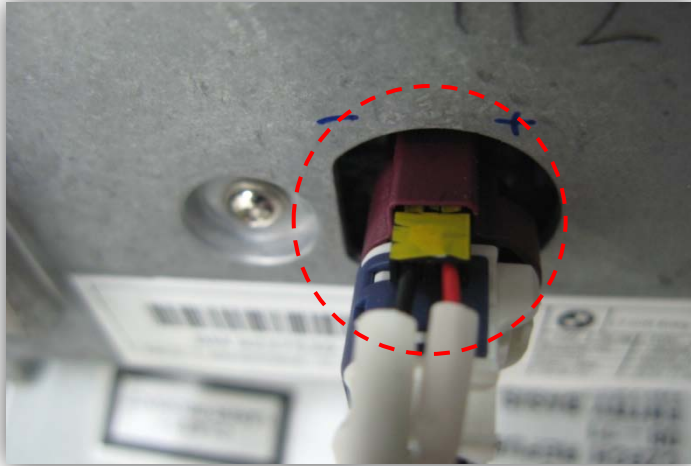


2 Cautions on installation

- Ignition key should be taken off before starting installation, interface power connection must be the last step in installation.
- Power cable should be separated when connecting interface.
- Should be no any electronic devices or magnetic pole around installation place.
- All steps of installation should be done by well-trained specialist.
- Dismantling without manufacturer's permission can not be guaranteed, (No permission to break attached label on the board.)
- Kindly check all parts are in the box, when receiving the product, if anything missing, inform to the supplier or manufacturer.
- According to our sales policy, any problems caused by user's mistake, careless can not be guaranteed.

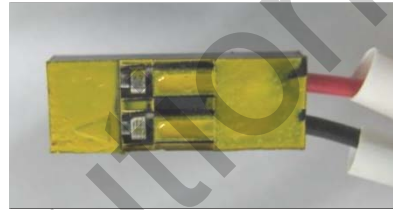
3 Installation

3.1 Connecting the monitor with the interface



① Connect LCD cable enclosed in our package to the spot that the original one is connected after disconnecting the original LCD cable from the monitor as shown left.

※ **Warning : As shown below, face of yellow is placed in the upper direction. (Red wire's position is right)**

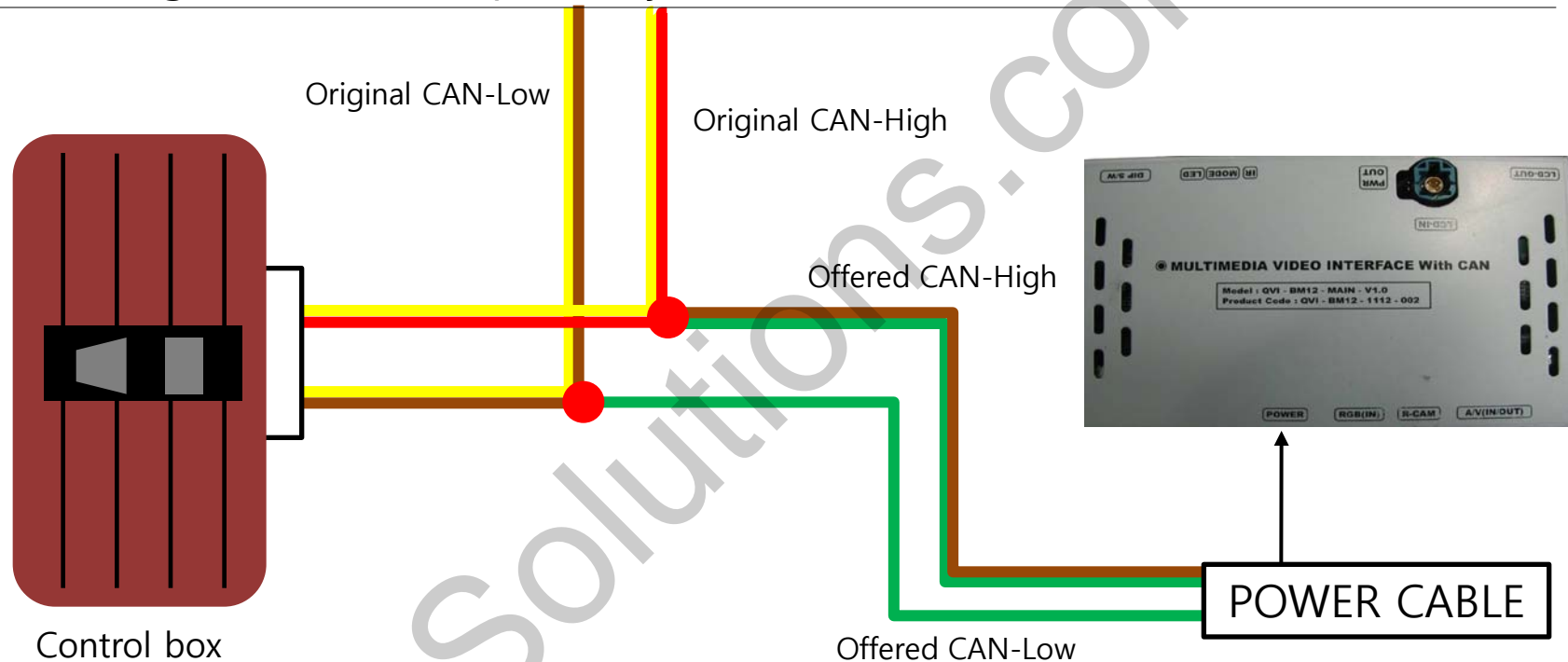


② Connect the original LCD cable to "LCD-IN" connector of the interface.

※ **Warning : Power cable of interface has to be connected with Back of command or cigar jack. (Do not connect with accessory Power)**

3 Installation

3.2 Connecting CAN cable respectively



Connect CAN-H wire (Green+Brown) enclosed in our package with the original CAN-H wire (Yellow+Red).
And connect CAN-L wire (Green) enclosed in our package with the original CAN-L wire (Yellow+Brown).