

Gateway Five iPod, USB, Bluetooth

General Installation Guide

v1.0



GWF-9001-1

1 Introduction

Warning!

Always make sure that the the ignition key is removed from the car, the radio is switched off and that you have the security code of the head unit (radio) available (if applicable).

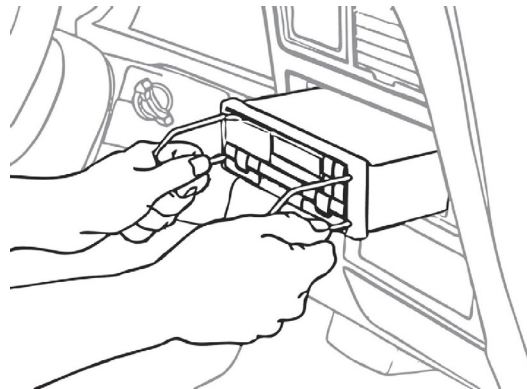
The Dension Gateway Five connects your iPod or USB storage (stick, hard drive or mass storage capable mp3 player) to your original car radio, providing music playback, menu based control and charging.

The Gateway Five also offers Bluetooth connectivity for music streaming (via A2DP) and handsfree mobile call handling via the original buttons and screens of your vehicle.

Please make sure that the vehicle compatibility is correct.

The Dension Gateway Five is available in specific versions for different vehicle types, therefore the exact operation and installation may be different in each case.

Remove the head unit

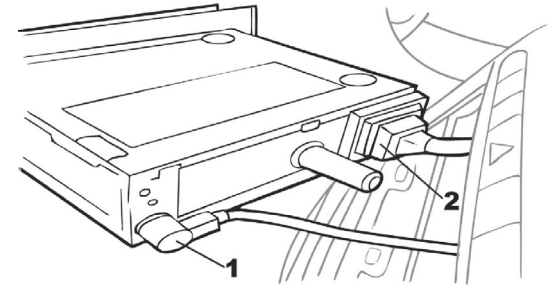


First, carefully remove your vehicle's existing factory fit head unit as per the factory instructions and using the correct tools.

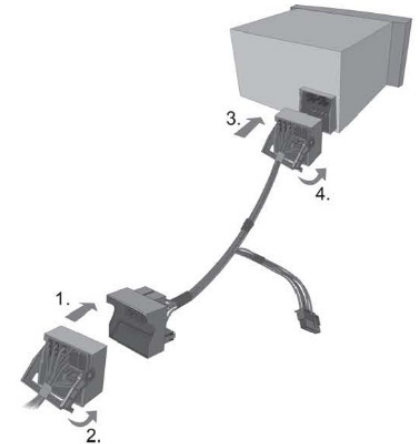
In some cases, removing the head unit will require panel removal. Contact your vehicle's dealer or installation supplier/installer for more information.

2 Fitting the Gateway Harness

Once the head unit has been removed, disconnect the antenna cable (1), then unclip the main wiring connector from the head unit (2). This will differ in all makes and manufacturers.



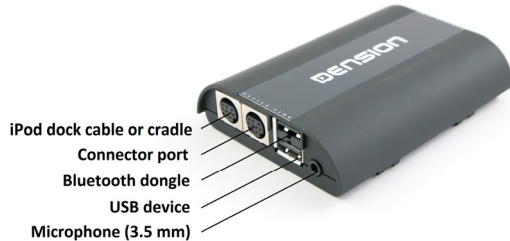
With the main radio cable removed, connect the Dension supplied cable between the original factory cable harness and the head unit.



3

Connection

The below diagram depicts how the different modules connect to the Gateway Five.



Connect the 18 way micro-fit to the Car side of the Gateway Five module.

The Connector port allows easier access to the USB and Aux connections of the gateway, and provides a bypass switch and an easy reset option. The iPod connection and charging is possible directly through the iPod Dock Cable or an iPod Cradle (not included).



The Connector port

Please fix the connector port in a position where the user can access the inputs, and leave sufficient room for attaching USB storage devices.

The dock cable or the cradle can also be fitted at this stage. These can either be run to the Glove box or centre console.

4

Installation

You can find dip switches on the bottom of the Gateway Five. These are factory set according to the car type and software version. Please do not change these settings, as in that case the Gateway Five will not function in your car.

The Bluetooth Dongle

The Bluetooth dongle is factory inserted to the relevant USB port. Please do not remove or replace the original dongle.

Fitting the microphone

The microphone will work best when it is kept away from all noise sources (open windows or speaker) and close to the speaker. So the best place to ensure perfect sound is to install at the light cluster or rear view mirror in the centre of the wind screen. There are clips that help you to do this.

The optimal place for the microphone depends on many factors, so it is recommended that you try different installation places before finally mounting the microphone.

Test and refit

Before you refit the head unit, test the Gateway Five with your car audio, making sure all connections are correct and that you have full functionality.

Note: If during testing you notice any changes or inconsistencies in the way the car's electrical system operates, disconnect the Gateway product immediately and consult your dealer.

When you have tested everything, refit your head unit. Take care not to trap any wires or the Dension product. We supply cable ties to mount the Gateway Five module.

Refit is the reversal of the removal process for your specific vehicle, as per your manufacturer's instructions.

Warning! Do not trap the cables, or leave them in a position where they may become trapped after refitting the head unit.

5

Disclaimer

Disclaimer

All photos/illustrations are for representation purposes only and may differ visually from the equipment in your vehicle. Information correct at time of going to print E. & O. E. Dension Audio Systems Ltd. and it's registered partners cannot be held liable for any damages caused by the incorrect installation of any Dension product