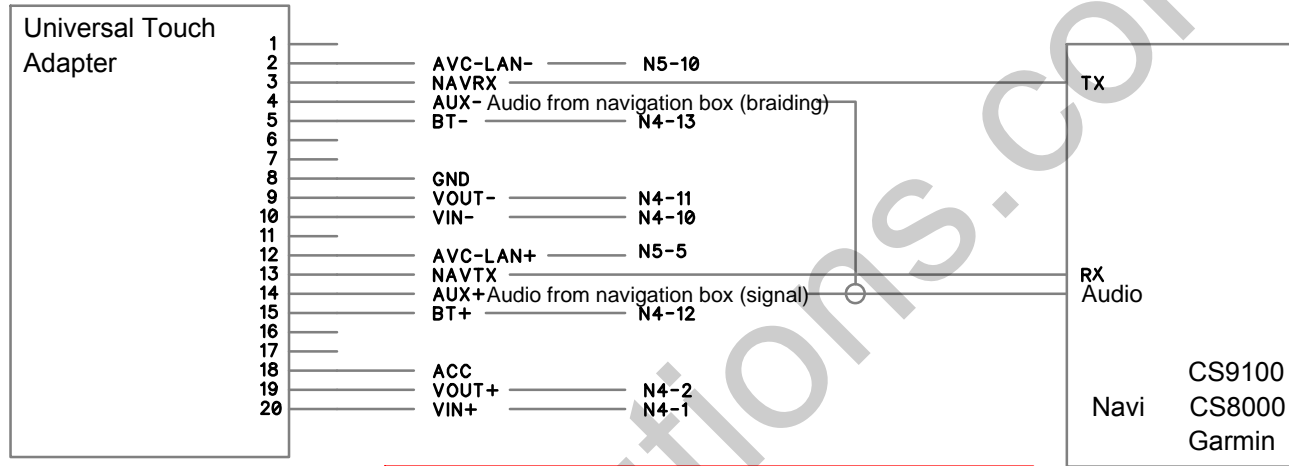


2

1

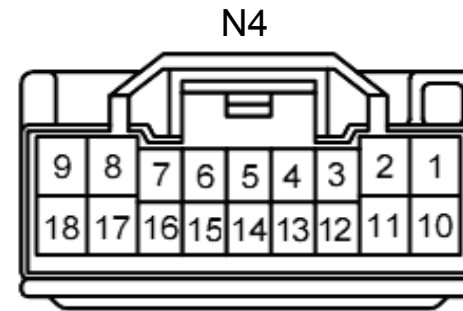
### Installation in Lexus / Toyota up to 2007 model year



BT+ and BT- should be connected only if car is equipped with OEM Bluetooth

Select Toyota (Kenwood) protocol in CS9100 / CS9200 settings

	CS 9100	CS8000	GARMIN
SW1	OFF	OFF	OFF
SW2	OFF	OFF	OFF
SW3	OFF	OFF	OFF
SW4	OFF	OFF	OFF
SW5	ON	OFF	OFF
SW6	OFF	ON	OFF
SW7	OFF	OFF	ON
SW8	OFF	OFF	OFF



OEM navigation unit connectors numbering from wires site

2

1