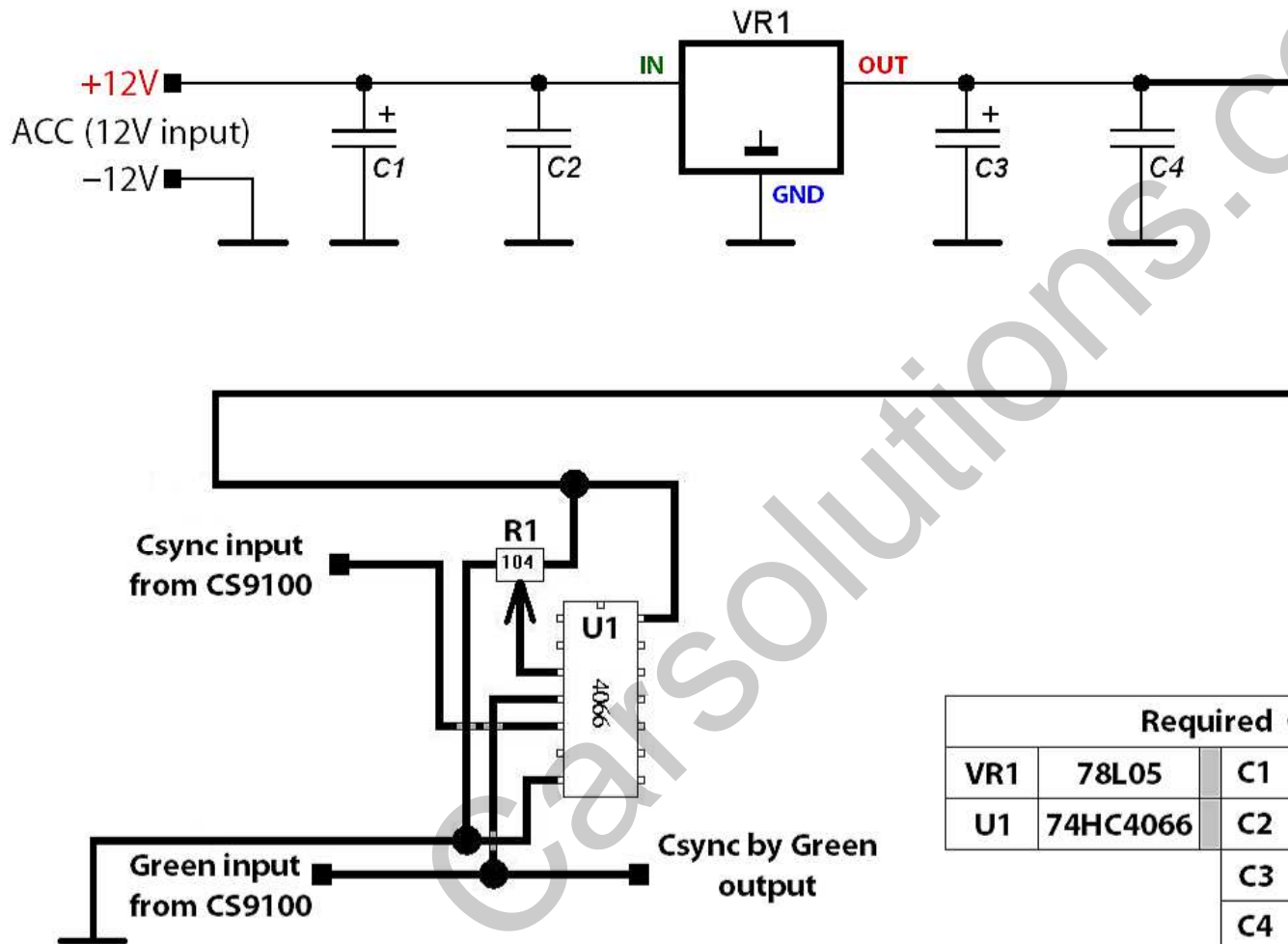



Для автомобилей с синхронизацией по "ЗЕЛЕНОМУ"



Required Components					
VR1	78L05	C1	47µF 25V	R1	100k
U1	74HC4066	C2	100nF		
		C3	1µF 10V		
		C4	100nF		

**VR1**




78L05  
A 802

OUTPUT    INPUT  
GROUND

---

**U1**



14  
1

**PIN ASSIGNMENT**

XA	1	14	VCC
YA	2	13	A ON/OFF CONTROL
YB	3	12	D ON/OFF CONTROL
XB	4	11	XD
B ON/OFF CONTROL	5	10	YD
C ON/OFF CONTROL	6	9	YC
GND	7	8	XC