

User's Guide for CDR1xxx

V1.00

CDR1xxx is a car specific accessory kit, optional for the Gateway 100/300 devices to retain the original CD Changer of the car.

Operation:

For detailed operation of the Gateway device see its User Manual.

At non-browser capable installations you can select the CD Changer on **Disc6/Track9** and press FF.

In case a source browser is available, just select **"CDC"** on **Disc6**, and then press FF.

From that point the Gateway is disconnected from the entertainment system of the car, and you can **use the original Changer as before**.

To return to Gateway devices, toggle any of **Repeat, Random** or **Scan** modes forth and back, or press **Pause/Play/Pause** sequence in 5 seconds. Whichever you can access on your radio.

Gateway will continue playback from the last source device.

IMPORTANT! At least one CD must be loaded in the magazine. If you do not load any CD, then you can not return from Changer mode to Gateway by button presses. The only way in this case to connect an iPod or USB, and select other source manually.

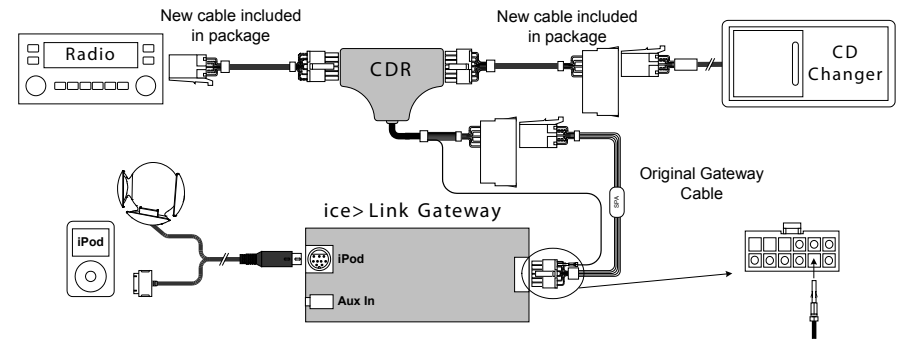


Use the cable ties (included in the package) to fix the CDR.



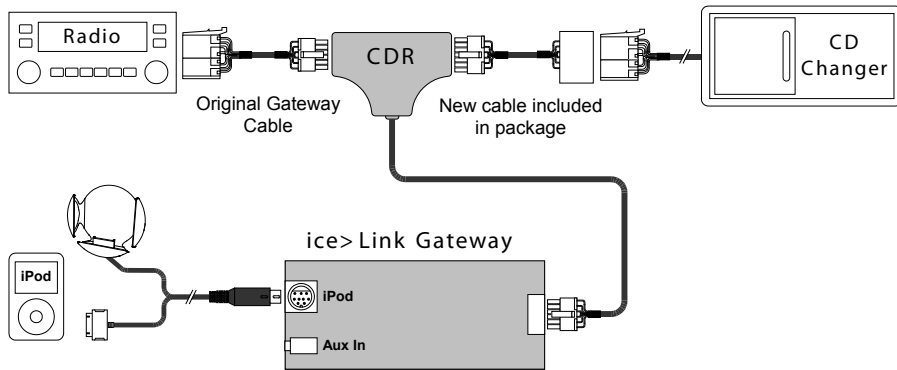
1

RENAULT (CDR1RE8)



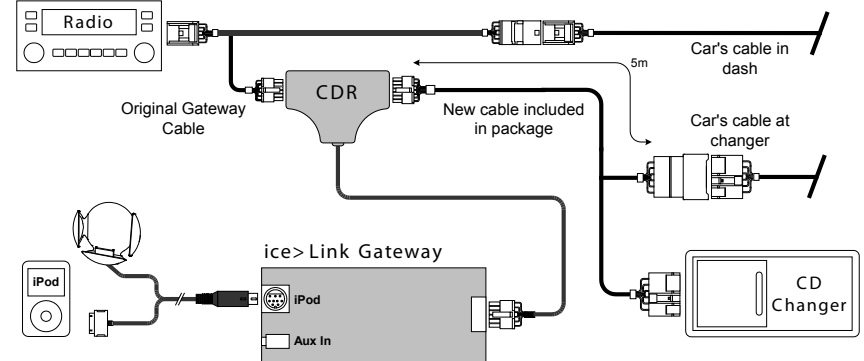
4

General installation



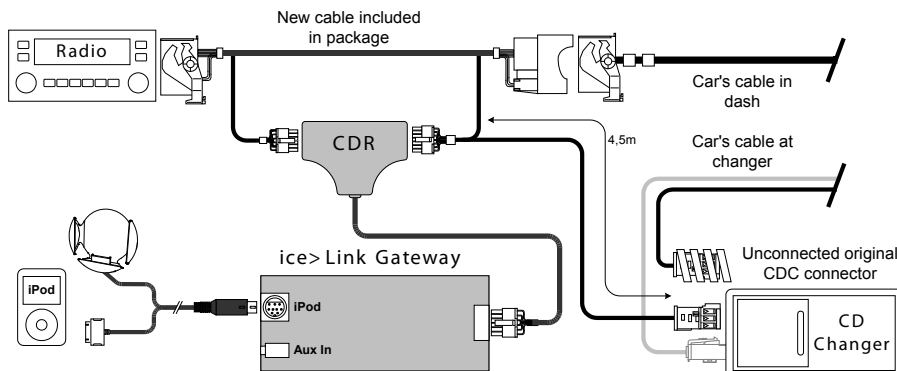
2

TOYOTA / LEXUS / HONDA B (CDR1TO1, CDR1TO2, CDR1LS1, CDR1HB1)



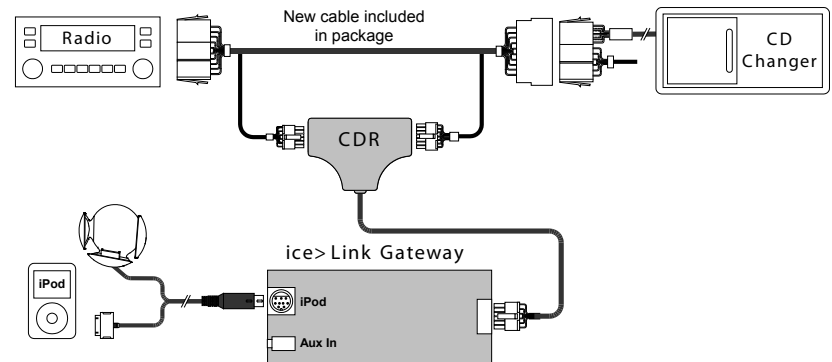
5

BMW 40pin (CDR1BM4)



3

AUDI (CDR1AU2)



6