

# R04-MB14 Rear View Camera Interface

## Components



## Version Information

Model Name	R04-MB14
Latest Firmware Date	2015 - 05 - 24
Manual Version	Rev. 1.7
Manual Release Date	2015 - 06 - 01

## Dip Switch Settings



ON: ▼ OFF: ▲

## Setting mode



Button	Function
★ (Bookmark)	Enter into the setting menu. (Press the button 5 seconds)
Select (●)	Select the setting menu and setting values.
BACK	Back to previous menu.
Dial (▲, ▼, ◀, ▶)	Move the menu-pointer and adjust the setting values
BACK (Steering wheel)	Change the mode to FVC(AV1), when press the button 2 seconds.

No.	Setting	ON (▼) / OFF (▲)	No.	No.4	No.5	No.6	Car models	
No.1	Rear View CAM	ON (▼) / OFF (▲)	No.3	OFF (▲)	ON (▼)	OFF (▲)	ON (▼)	E, CLS / 7, 8-inch
No.2	Front View CAM	ON (▼) / OFF (▲)	OFF (▲)	ON (▼)	ON (▼)	ON (▼)	B, CLA / 8-inch	
No.3	Selection of car model	ON (▼) / OFF (▲)	ON (▼)	OFF (▲)	OFF (▲)	OFF (▲)	B, CLA / 7-inch	
No.4			OFF (▲)	ON (▼)	OFF (▲)	OFF (▲)	V-Class / 8.4-inch	
No.5			OFF (▲)	OFF (▲)	ON (▼)	ON (▼)	V-Class / 7-inch	
No.6			OFF (▲)	OFF (▲)	ON (▼)	ON (▼)		

## Setting mode



① Enter into the setting mode.



② Adjust guide lines position and ON / OFF



③ Adjust PDC sensors position and ON / OFF

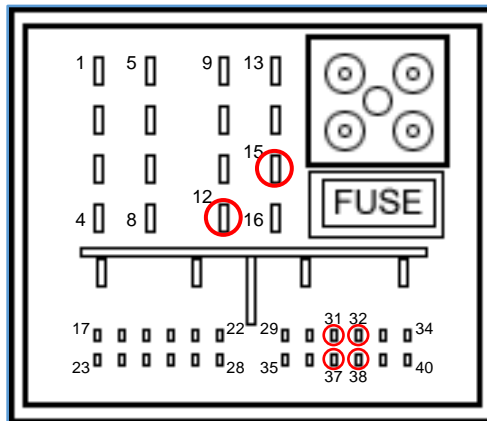


④ Adjust values of brightness and contrast.

# R04-MB14 Rear View Camera Interface

## Installation Diagram

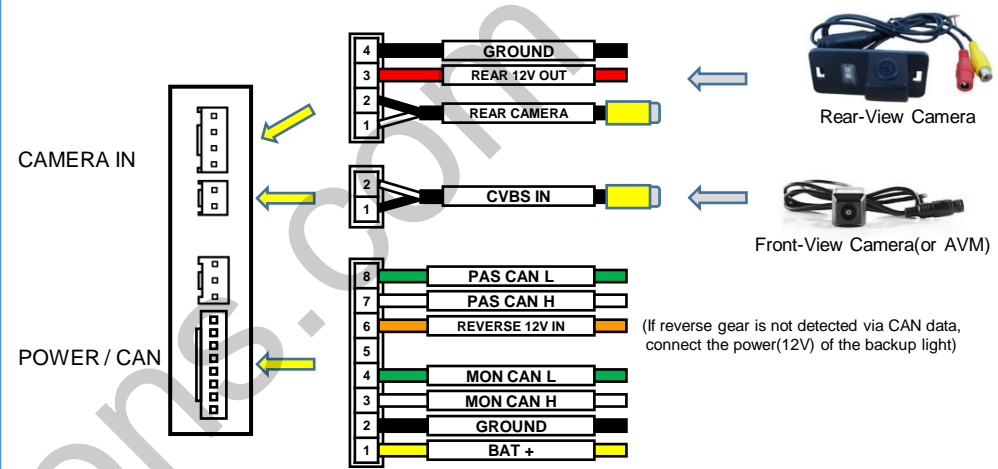
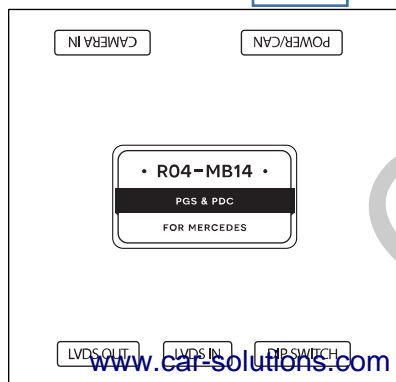
COMAND NTG 5.0 Main Connector - CAN wires Inform



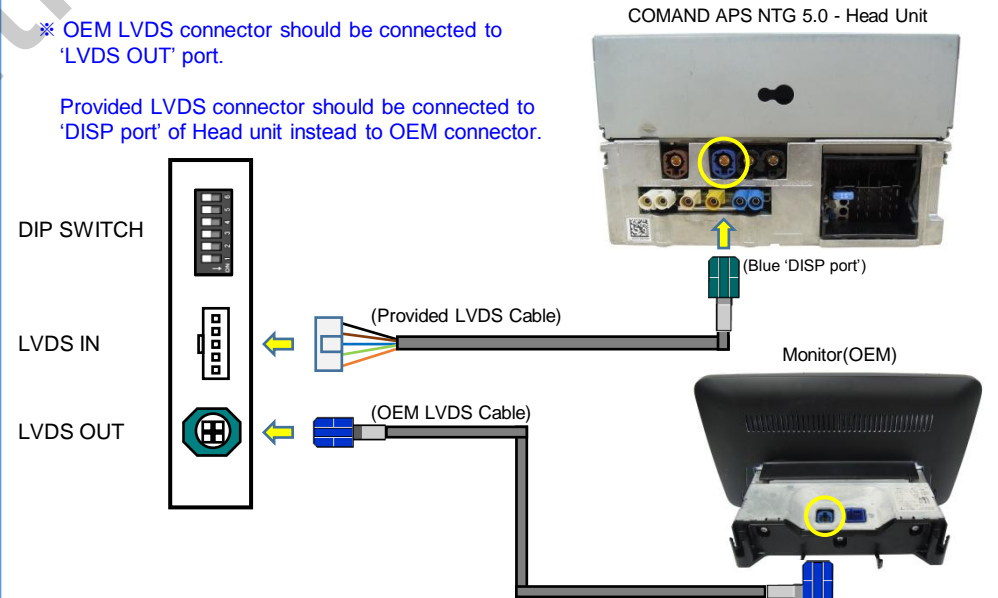
- GROUND(Black) — Pin # 12 = GND(Brown)
- BAT+(Yellow) — Pin # 15 = Battery POWER(Red)
- PAS CAN L(Green) — Pin # 31 = PAS CAN LOW(Yellow)
- PAS CAN H(White) — Pin # 37 = PAS CAN HIGH(Yellow / White)
- MON CAN L(Green) — Pin # 32 = MON CAN LOW(Black)
- MON CAN H(White) — Pin # 38 = MON CAN HIGH(Black / White)

\*The wires color might be different depends on models. You have to splice the CAN wires with each pins exactly.  
 \*OEM CAN wires(High, Low) are twisted each other.

REVERSE 12V IN(Orange) ✗  
 (\*Not necessary)



※ OEM LVDS connector should be connected to 'LVDS OUT' port.  
 Provided LVDS connector should be connected to 'DISP port' of Head unit instead to OEM connector.



support@car-solutions.com

www.car-solutions.com